



EN / VEHICLE HEATERS / TECHNICAL DOCUMENTATION

# INSTALLATION INSTRUCTIONS EASYSTART WEB

Web-based operating software for operation of Eberspächer heaters

**Designation**

EasyStart Web → 05/2019  
EasyStart Web 06/2019 →  
EasyStart Web 09/2021 →

**Order No.**

22.1000.34.5100  
22.1000.34.7800  
22.1000.35.3500

## SEGMENT OVERVIEW



CONSTRUCTION



AGRICULTURE/  
FORESTRY



RV



UTILITY/CARGO



CAR/LCV



AMBULANCE



PUBLIC SAFETY



MARINE



PERSONAL  
TRANSPORT



TRUCK/HCV



ELECTRICAL  
MINI VEHICLES

Chapter	Chapter title	
	Chapter contents	
<b>1</b>	<b>INTRODUCTION</b>	
1.1	General information	4
1.1.1	Please read first	4
1.2	Special text formats and presentations	4
1.3	Picture symbols	4
1.4	Repair	4
1.5	Disposal	4
1.6	Important information	4
1.6.1	Intended use	4
1.7	Installation and operation	5
1.8	Disclaimer	5
1.9	Accident prevention	5
1.10	EU Declaration of Conformity	5
1.11	UKCA Declaration of Conformity	5
<b>2</b>	<b>PRODUCT INFORMATION</b>	
2.1	Scope of supply	6
2.2	Dimensions	7
2.3	Technical data	7
<b>3</b>	<b>INSTALLATION</b>	
3.1	Installing the receiver unit	8
3.2	Installing the button	8
3.3	Installing the interior temperature sensor	8
3.3.1	Install the temperature sensor lead harness <sup>9</sup>	
3.4	Connect the cable loom (heaters with LIN-/ S+ interface)	9
3.4.1	Connect the communication and power supply cables	9
3.5	Connect the cable loom (heaters with CAN interface)	10
3.6	Connecting the power supply	10
3.7	Automatic detection	10
<b>4</b>	<b>INITIAL STARTUP / CONFIGURATION</b>	
4.1	Log in for initial startup	10
4.2	Default settings for customers	11
4.2.1	Configuring EasyStart Web	11
4.2.2	After completing the settings	13
4.2.3	Combination option with EasyStart Pro	13
<b>5</b>	<b>WHAT TO DO IF ...?</b>	
5.1	Describe possible errors and faults, causes and remedies	14
<b>6</b>	<b>ELECTRICS</b>	
6.1	Circuit diagram, EasyStart Web connection to Hydronic, Hydronic 2, Hydronic M-II and Hydronic S3 CL	15
6.2	Circuit diagram, EasyStart Web connection to Airtronic, Airtronic M and Airtronic L	16
6.3	Circuit diagram, EasyStart Web and temperature sensor connection to Airtronic, Airtronic M and Airtronic L	17
6.4	Circuit diagram, EasyStart Web connection to Hydronic S3 CS	18
6.5	Circuit diagram, EasyStart Web connection to Airtronic 2 and Airtronic 3	19
<b>7</b>	<b>SERVICE</b>	
7.1	Technical Support	20

## 1 Introduction

### 1.1 General information

#### 1.1.1 Please read first

Before installing, always read through these installation instructions carefully and keep them in a safe place for reference at a later date. The document contains important information necessary for the installation.

The complete operating instructions are stored on the enclosed CD and are also available on the Eberspächer Partner Portal to view and to download.

### 1.2 Special text formats and presentations

Special text formats and picture symbols are used in these instructions to emphasise different situations and subjects. The meaning and corresponding actions are shown in the following examples.

Examples

- Text preceded by a dot (▪) indicates a list, which is introduced by a heading.
  - Text preceded by a dash (-) is positioned under the list with a dot.

Underlined blue text denotes a cross-reference, which can be clicked in the PDF document. The part of the document named in the text is then displayed.

### 1.3 Picture symbols

#### **DANGER!**

This information points out a potential serious or fatal danger. Ignoring this information can result in severe injuries.  
→ This arrow indicates the appropriate precaution to take to avert the danger.

#### **CAUTION!**

This information points out a dangerous situation for a person and / or the product. Failure to comply with these instructions can result in injuries to people and / or damage to machinery.  
→ This arrow indicates the appropriate precaution to take to avert the danger.

#### **NOTE**

These remarks contain recommendations for use and useful tips for installation and operation.

### 1.4 Repair

Repair of the EasyStart Web control unit is not permitted. Failure to comply makes the guarantee null and void and this leads to the exclusion of any liability of Eberspächer Climate Control Systems GmbH.

### 1.5 Disposal

Dispose of the product only according to the relevant legal regulations.

### 1.6 Important information

#### 1.6.1 Intended use

The web-based EasyStart Web control unit is used to operate and / or program Eberspächer heaters via the internet. This can be done not only with the help of a browser-based web application but also with the help of a smartphone app.

#### **NOTE**

- Use of the EasyStart Web control unit for any purpose other than that given by the manufacturer is not permitted.
- Use the EasyStart Web control unit for the specified purpose only.
- Do not use the EasyStart Web control unit if a malfunction could cause a hazard and / or damage to property.
- Shut down the EasyStart Web control unit immediately if it can be assumed that safe operation of the heater is no longer guaranteed.
  - Take all measures to prevent accidental putting back into service.
  - Failure to comply makes the guarantee null and void and leads to the exclusion of any liability of Eberspächer Climate Control Systems GmbH.

## 1.7 Installation and operation

### **DANGER!**

#### **RISK TO LIFE DUE TO SUSCEPTIBLE PACEMAKER**

Pacemakers and hearing aids can be affected by radio waves and their function disrupted.

- Get your doctor to check your pacemaker or hearing aid specialist to check your hearing aid for susceptibility to faults.

#### **RISK OF CHOKING DUE TO SMALL COMPONENTS**

Accessories are small components and can be swallowed by children.

- Keep small components of the EasyStart Web out of reach of children.

#### **RISK OF FIRE/DEFLAGRATION DUE TO IGNITION**

Hazardous situations can occur if the heater is operated in the immediate vicinity of flammable gases, fumes, liquids or dust.

- Do not use the EasyStart Web control unit if the heater to be activated is in an environment in which flammable gases, fumes, liquids or dust are present or could be present.

#### **RISK OF POISONING DUE TO ESCAPING EXHAUST GASES**

Hazardous situations can occur during operation of the heater in enclosed rooms.

- Do not use the EasyStart Web control unit if the activated heater is located in enclosed rooms, e.g. in a garage or a multi-storey car park.

#### **RISK OF SHORT-CIRCUIT DUE TO PENETRATING MOISTURE**

Penetration of liquid into the EasyStart Web receiver unit can result in dangerous situations.

- To reduce the risk of an electrical short-circuit or damage, do not expose the receiver unit of the EasyStart Web to moisture.

## 1.8 Disclaimer

The manufacturer is not liable for damage caused by improper use or incorrect operation.

Failure to comply with the safety instructions makes the guarantee null and void and leads to the exclusion of any liability of Eberspächer Climate Control Systems GmbH.

## 1.9 Accident prevention

Always follow all accident prevention regulations and shop and operating safety instructions.

### 1.10 EU Declaration of Conformity

We herewith declare that the version of EasyStart Web placed on the market by us conforms with the following EU Directive.

#### **EU Directive 2014/53/EU**

The full Declaration of Conformity can be viewed and downloaded from the download centre at [www.eberspaecher.com](http://www.eberspaecher.com).

### 1.11 UKCA Declaration of Conformity

We herewith declare that the version of the heater placed on the UK market by us conforms to the applicable provisions of the following UK Directives.

#### **Radio Equipment Regulations, Statutory Instrument 2017 No. 1206**

The full Declaration of Conformity can be viewed and downloaded from the download centre at [www.eberspaecher.com](http://www.eberspaecher.com).

## 2 Product Information

EasyStart Web web-based control unit:

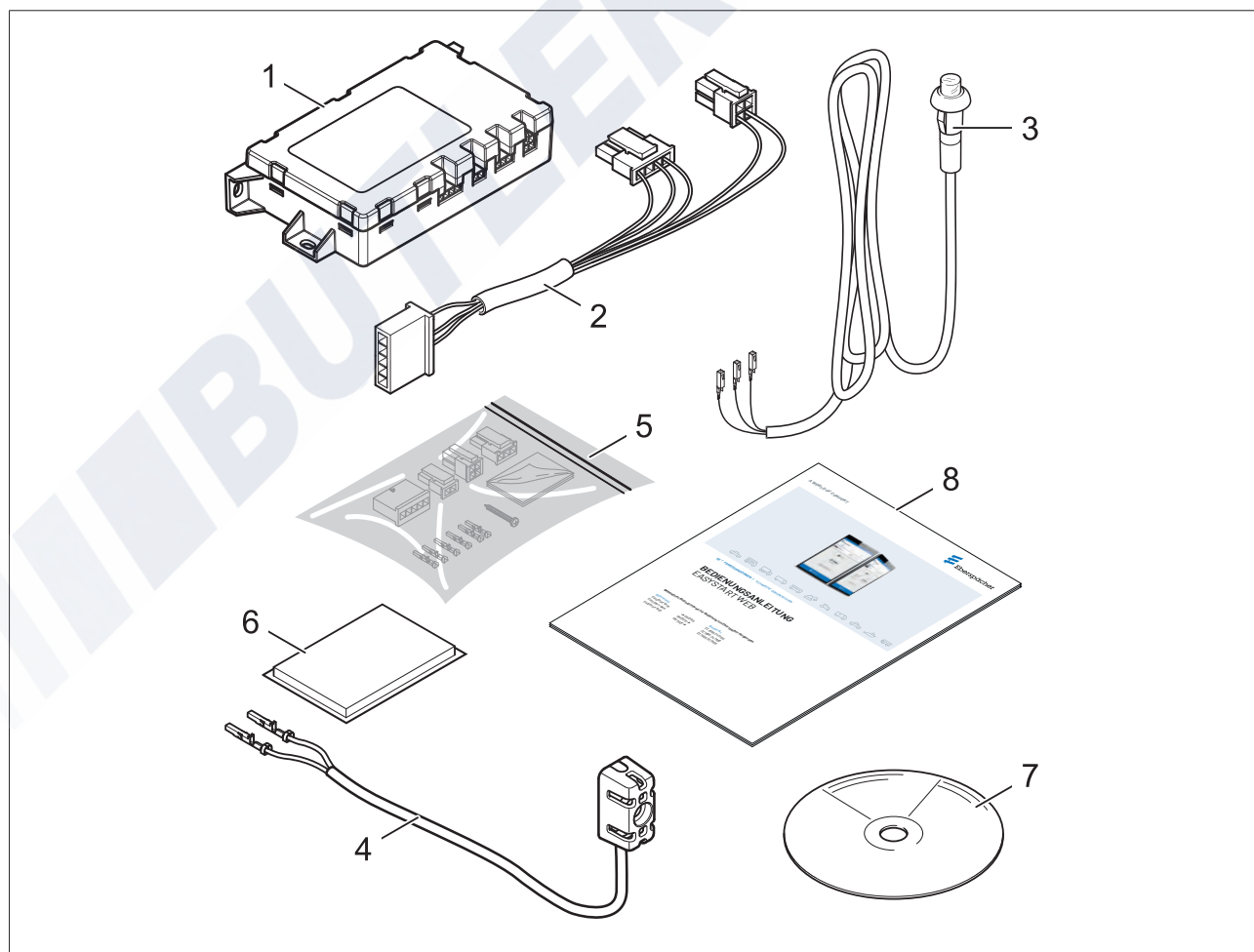
Order No.	to	05/2019:	22.1000.34.5100
	from	06/2019:	22.1000.34.7800
	from	09/2021:	22.1000.35.3500

### 2.1 Scope of supply

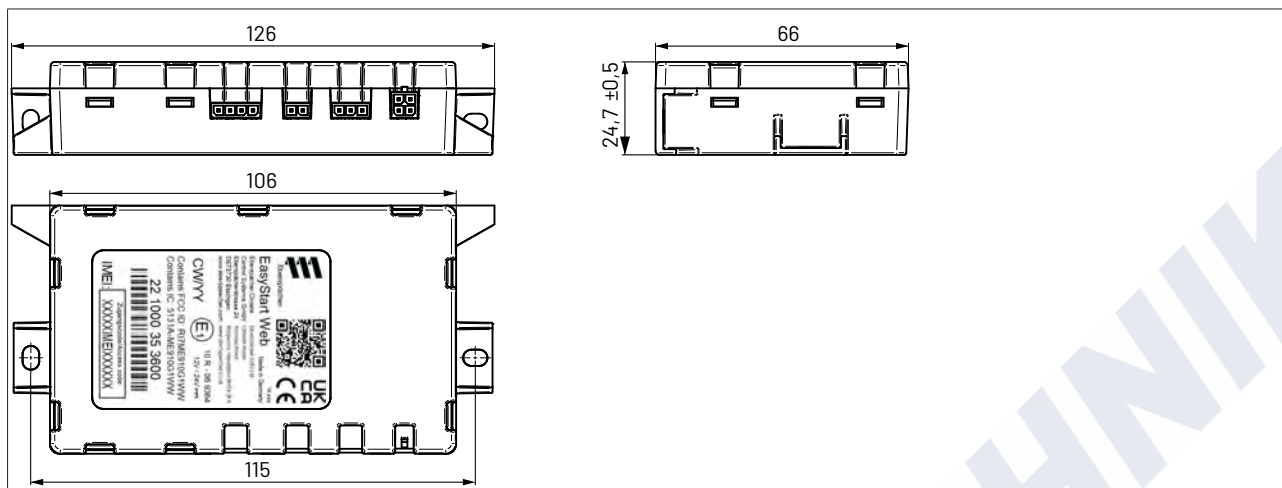
The scope of supply includes:

No. in sketch	Quantity	Designation
1	1	EasyStart Web receiver unit
2	1	Cable loom
3	1	Button
4	1	Interior temperature sensor
5	1	Bag with small parts
6	1	Adhesive pad, 25 mm x 30 mm
7	1	CD with installation instructions, operating instructions and quick start guide
8	1	Quick start guide
-	1	Label with access code (not illustrated), not for Mat. No. 22.1000.35.3500

Can be ordered as optional extra:			Order No.
---	1	Cable loom 2nd control unit	22.1000.34.5600
---	1	Cable loom, EasyScan diagnostics and service tool	22.1000.34.5700



2.2 Dimensions



2.3 Technical data

Designation	Unit	Value
Operating voltage	[ V ]	9 ... 32
Maximum input voltage	[ V ]	32
Closed-circuit power consumption	[ A ]	< 0.005
Current input during operation (mobile phone network)	[ A ]	< 0.5
Maximum continuous current input, in operation	[ mA ]	< 30
Operating temperature range	[ °C ]	-40 ... +85
Storage temperature range	[ °C ]	-40 ... +85
Dimensions, with fastening tabs L×W×H	[ mm ]	126×66×25
Class of protection	ISO 20653	IP40
Weight	[ g ]	90
GSM / GPRS	[ MHz ]	Quad band: 850 / 900 / 1800 / 1900
Transmission power Mat. No. 22.1000.34.5100 and 22.1000.34.7800	[ W ]	2 [ 33 dBm ], Class 4 (GSM 850 / 900 MHz) 1 [ 30 dBm ], Class 1 (GSM 1800 / 1900 MHz)
Transmission power Mat. No. 22.1000.35.3500	[ W ] 2G  [ W ] 4G (23dBm per band)	B2: 1850 - 1910MHz, 1930 - 1990MHz, 30dBm B3: 1710 - 1785MHz, 1805 - 1880MHz, 30dBm B5: 824 - 849MHz, 869 - 894MHz, 33dBm B8: 880 - 915MHz, 925 - 960MHz, 33dBm B1: 1920 - 1980MHz, 2110 - 2170MHz B2: 1850 - 1910MHz, 1930 - 1990MHz B3: 1710 - 1785MHz, 1805 - 1880MHz B4: 1710 - 1755MHz, 2110 - 2155MHz B5: 824 - 849MHz, 869 - 894MHz B8: 880 - 915MHz, 925 - 960MHz B12: 698 - 716MHz, 728 - 746MHz B13: 777 - 787MHz, 746 - 756MHz B18: 815 - 830MHz, 860 - 875MHz B19: 830 - 845MHz, 875 - 890MHz B20: 832 - 862MHz, 791 - 821MHz B25: 1850 - 1915MHz, 1930 - 1995MHz B26: 814 - 849MHz, 859 - 894MHz B27: 807 - 824MHz, 852 - 869MHz B28: 703 - 748MHz, 758 - 803MHz B66: 1710 - 1780MHz, 2110 - 2200MHz B71: 663 - 698MHz, 617 - 652MHz B85: 698 - 716MHz, 728 - 746MHz



### 3 Installation

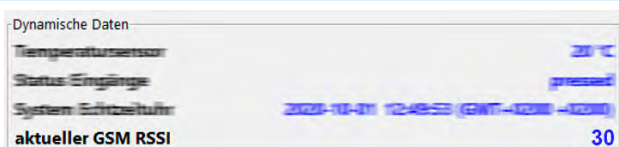
#### 3.1 Installing the receiver unit

- Install the receiver unit only inside the vehicle, preferably under the instrument panel.
- Fix the receiver unit using the adhesive pad included in the scope of supply or with cable ties.

**i NOTE**

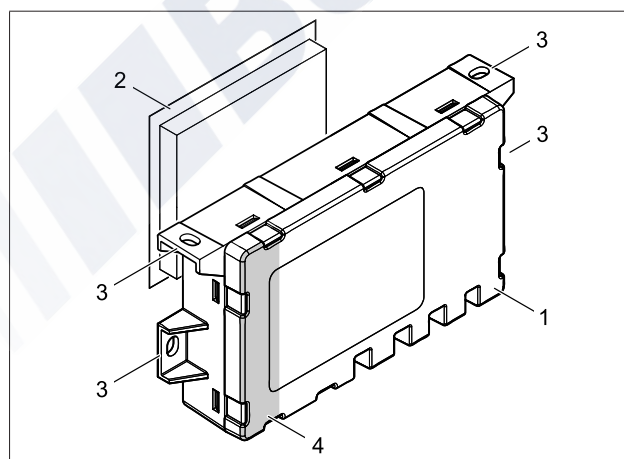
The receiver unit must not be completely enclosed by metal, especially the antenna area.

→ **Recommendation:** Measure the signal strength of the receiver unit via EasyScan, in order to determine the optimum installation position in the vehicle before starting the installation. To do so, connect the receiver unit to EasyScan, read out the current RSSI value in the "Operating data" tab and therefore determine the optimum installation position.



Assessment	RSSI measured value (EASY SCAN)	Power in dBm
No network reception	0	
Weak reception (possible adequate)	2 - 9	-109 dBm to 95 dBm
Moderate reception (recommended)	10 - 14	-93 dBm to -85 dBm
Strong reception (recommended)	15 - 19	-83 dBm to -75 dBm
Very strong reception (rather improbable)	20 - 30	-73 dBm or better
Error	99	Unknown or not measurable

- Ensure that the distance between the receiver unit and people is > 20 cm (USA / Canada).
- When installing the receiver unit, ensure that there is sufficient space available for connecting the cable looms.



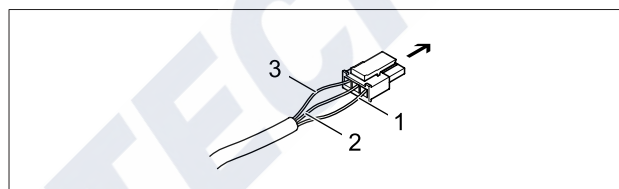
- 1 EasyStart Web receiver unit
- 2 Adhesive pad
- 3 Fastening tabs
- 4 Antenna area

#### 3.2 Installing the button

**i NOTE**

- The button included in the scope of supply must be installed. Discuss the mounting position with the vehicle owner.
- When drilling the mounting hole ensure that no important functional components or cables behind the mounting surface are damaged.

- To install the button, drill a  $\varnothing 10$  hole within the driver's reach in an easily accessed part of the instrument panel or centre console.
- Feed the button cable loom into the hole and clip in the button.
- Snap the "Button cable loom" cables into the 3-pin connector (small parts bag) as shown.
- Plug the connector into the 3-pin slot (2nd from right) of the receiver unit.



EasyStart Web receiver unit, 3-pin slot

- 1 BNYE cable
- 2 BN cable
- 3 RDYE cable

#### 3.3 Installing the interior temperature sensor

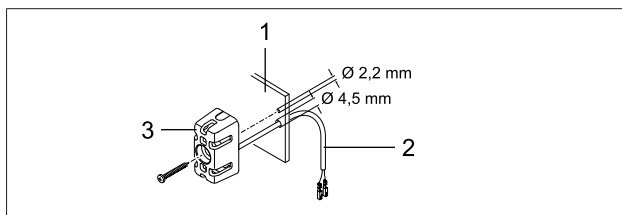
**i NOTE**

- Discuss the mounting position with the vehicle owner.
- The temperature sensor
  - do not mount near a hot air outlet.
  - do not mount in the hot air stream.
  - mount in a place protected from draughts.
  - mount in a place protected from direct sunshine.
- When drilling the fixing or connection hole ensure that no important functional components or cables behind the mounting surface are damaged.
- Install the temperature sensor included in the scope of supply to display or query the interior temperature.
- Use a self-tapping screw C 2.9x19 to mount the temperature sensor onto the instrument panel or another suitable place in the vehicle with concealed or visible lead harness (length 1.5 m).



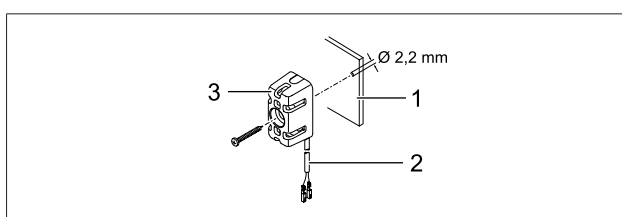
### 3.3.1 Install the temperature sensor lead harness

**Variante 1:** Install with lead harness concealed (hole in the instrument panel).



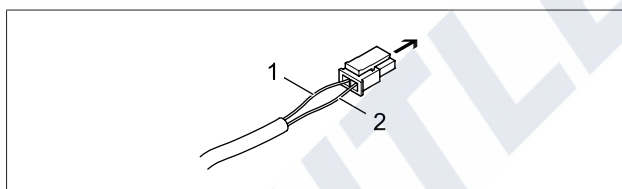
- 1 Instrument panel
- 2 Lead harness
- 3 Temperature sensor

**Variante 2:** Install with lead harness visible.



- 1 Instrument panel
- 2 Lead harness
- 3 Temperature sensor

- Snap the "Temperature sensor cable loom" cables into the 2-pin connector (small parts bag) as shown.
- Plug the connector into the 2-pin slot (2nd from left) of the stationary unit.



EasyStart Web receiver unit, 2-pin slot

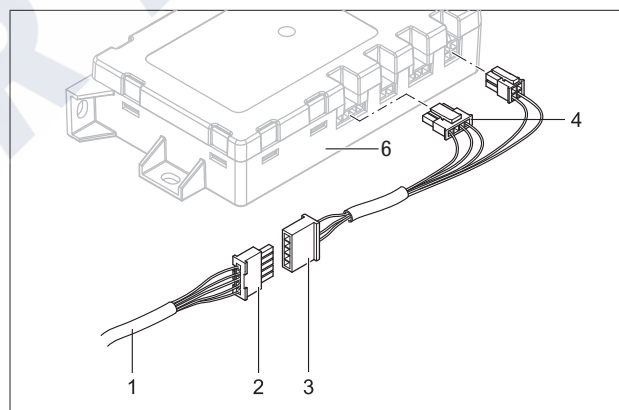
- 1 BNWH cable
- 2 GY cable

3.4 Connect the cable loom (heaters with LIN-/ S+ interface)

Standard configuration

### 3.4.1 Connect the communication and power supply cables

- Check whether the receptacles are available on the RD, BN and BUWH cables in the "Operation" lead harness of the heater cable loom.
- If the receptacles are missing on the relevant cables or incorrect receptacles are installed, crimp on the sleeves from the small parts bag supplied.
- Snap the cables into the 5-pin receptacle housing as follows.
  - RD cable in chamber 1
  - BN cable in chamber 3
  - BUWH cable in chamber 4
- Connect the 5-pin receptacle housing of the "Operation" lead harness to the 5-pin "cable loom" connector.
- For air heaters, connect and insulate the GYRD cable to the BNWH also.
- Insulate unused cables.
- Connect the two 4-pin connectors of the "cable loom" in the corresponding slots of the EasyStart Web receiver unit (flat 4-pin -> far left, square 4-pin -> far right)



- 1 "Operation" lead harness
- 2 Receptacle housing, 5 pin
- 3 "Cable loom" connector, 5 pin
- 4 Flat (tab) connector, 4 pin
- 5 Square connector, 4 pin
- 6 EasyStart Web receiver unit

#### **i** NOTE

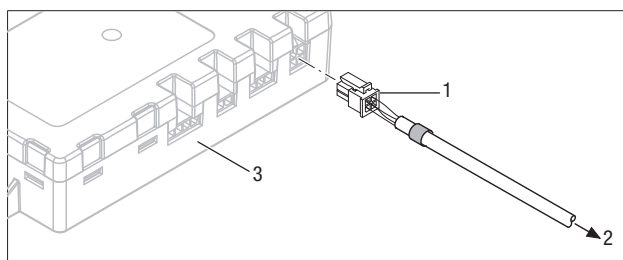
Note and follow the circuit diagrams from page 18.

#### Cable colours

RD = red	GR = grey	BK = black	WH = white	VT = violet
BU = blue	YE = yellow	GN = green	OR = orange	BN = brown

### 3.5 Connect the cable loom (heaters with CAN interface)

- Connect 4-pin connector housing -XS1 from heater lead harness in the right-hand slot of the EasyStart Web module.



- 1 Square connector, 4 pin
- 2 to the heater lead harness
- 3 EasyStart Web receiver unit

### 3.6 Connecting the power supply

After installing the heater and EasyStart Web receiver unit, push in the fuse to establish the power supply for both units.

### 3.7 Automatic detection

After applying the operating voltage the button's LED starts to light up. EasyStart Web checks which heater is connected and configures the system accordingly.

Start the initial startup and configuration (see [from page 10](#)) of EasyStart Web when the LED in the button is no longer flashing.

## 4 Initial startup / configuration

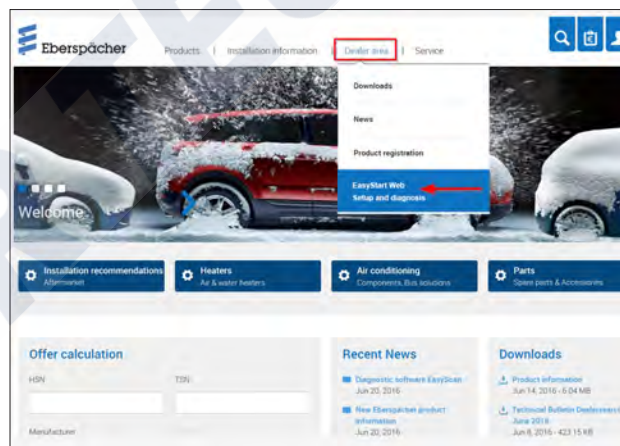
The web-based EasyStart Web operating software can be used to operate an Eberspächer air or water heater via the installed receiver unit.

→ The installation workshop or garage must log into the EasyStart Web portal to start up the operating software.

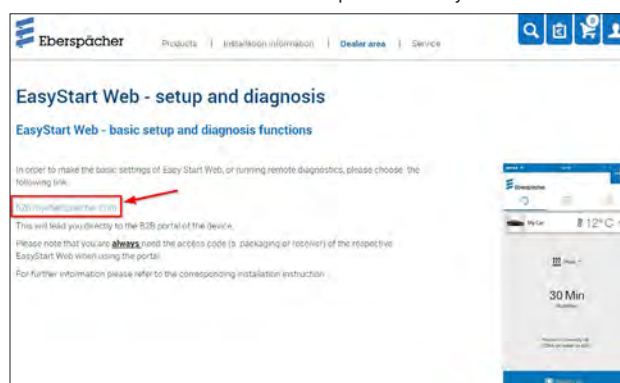
### 4.1 Log in for initial startup

The initial startup of the EasyStart Web operating software can only be carried out by the installation workshop using a PC / tablet with an internet connection.

- To access the "EasyStart Web portal", open the Eberspächer Partner Portal with <https://partner.eberspaecher.com/de>. If an access to the portal already exists, it is not necessary to enter an email address and password to log in. If no access exists yet, follow the login instructions.
- If the access is successful the main window of the partner portal appears. Click the "EasyStart Web" button under the "Customer Area" menu item.



- Click here on the link to the B2B portal of EasyStart Web.



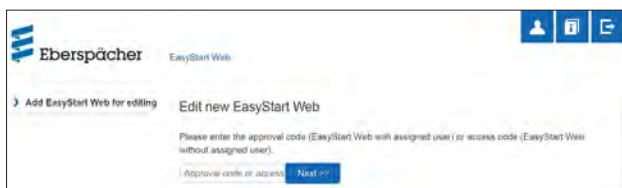
- Select the “Initial startup” menu item.



- Enter the approval code (IMEI) for EasyStart Web.

**NOTE**

The approval code (IMEI) is printed on the EasyStart Web packaging box and is also enclosed in the packaging as a sticker.

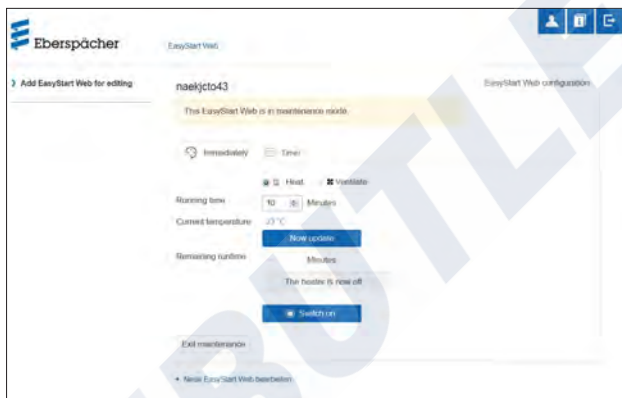


**4.2 Default settings for customers**

Configure EasyStart Web as requested by the customer or as necessary for installation.

**NOTE**

This step is only possible if the EasyStart Web registered on the server beforehand (logged into a mobile phone network).



**4.2.1 Configuring EasyStart Web**

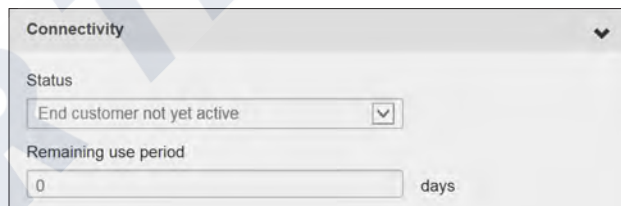
EasyStart Web system parameters	>
Connectivity	>
Free start period	>
EasyStart Web fault memory	>
EasyStart Web operation settings	>
Automatic running time calculation	>
EasyStart Web undervoltage detection	>
Resetting EasyStart Web	>
Overview heaters	>

The following functions can be selected:

- **EasyStart Web system parameters**
  - Display of the current configuration and properties of the activated EasyStart Web.
  - Display of the IMEI number
  - Display of the current software version
  - Perform software update, if necessary
  - Default value of the minimum and maximum setpoint temperature



- **Connectivity**
  - Status: EasyStart Web can be reached / cannot be reached via the app (use period)
  - Remaining use period in days



- **Free initial period**
  - Enter the email address of the end customer. When the free initial period is released by the workshop notification of the enabling of the free initial period is sent to the end customer automatically by email.
  - Enabling of free initial period for the customer (connectivity for 30 days)

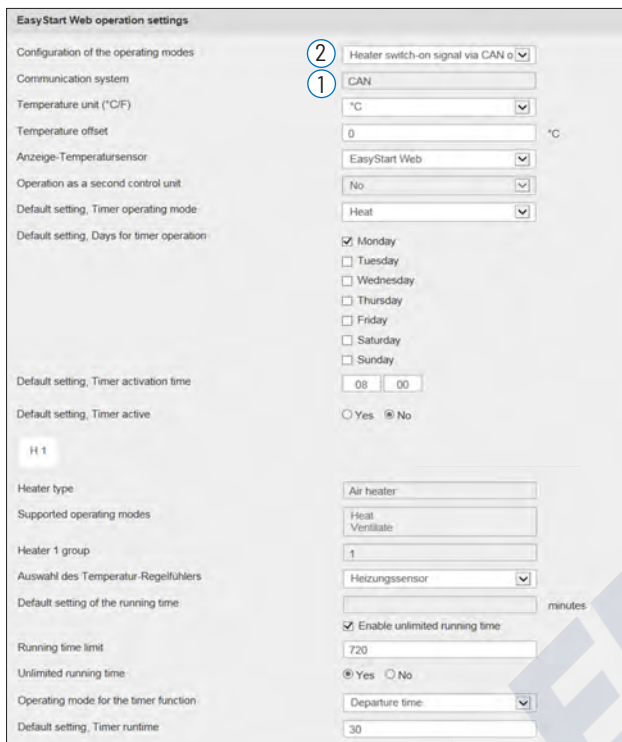


- **EasyStart Web fault memory**
  - Display EasyStart Web fault memory
  - Delete the fault memory



• **EasyStart Web operation settings (selection)**

- Default setpoint temperature value
- Default running time of the heater
- Running time limit of the heater
- Operating mode for the time function (start/departure time)
- Configuration of the control unit
- Temperature unit setting (°C / °F)
- Connection of additional temperature sensor



• **Possible communication interfaces**

The following interfaces are available:

- CAN
- LIN
- S+

It is not possible to operate the interfaces in parallel. If different interfaces are used at the same time, the CAN interface has priority.

- Connecting one or several heaters to CAN  
→ The CAN interface is used. The LIN and S+ interfaces are inactive, regardless of whether their connections are assigned or not.
- Connecting a heater to LIN or S+  
→ The LIN-/S+ interface can be used if the CAN interface is not assigned.

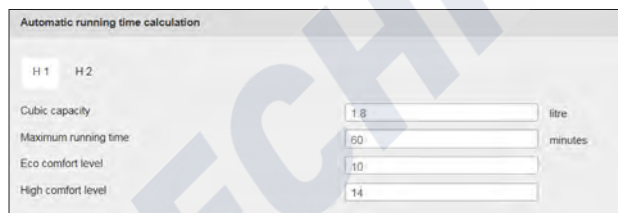
**i NOTE**

- ① The connection of a heater via the CAN/LIN interface is identified by EasyStart Web automatically.
- ② The connection of a heater via the S+ interface must be configured and saved by the workshop with the help of the DropDown menu [Configuration of the operating modes].

• **Automatic running time calculation**

**i NOTE**

- Automatic runtime calculation is not possible for air heaters.
- The engine size entered can be increased by 500 cm<sup>3</sup> for a larger heat requirement. If the combination valve 25.2014.80.6200 or 25.2014.80.7200 is used in the water circuit, the engine size entered can be reduced by 500 cm<sup>3</sup>.
- The values for increasing or reducing the engine size entered are only valid for cooling water circuits, whose vehicle fan heat exchanger is flowed through before the vehicle engine.
- If the vehicle is only used for short trips, consult the customer and reduce the maximum runtime.



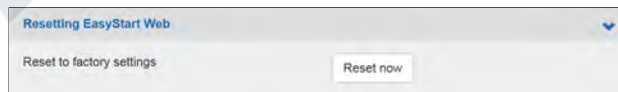
• **EasyStart Web undervoltage detection**

- See PLUS installation instructions



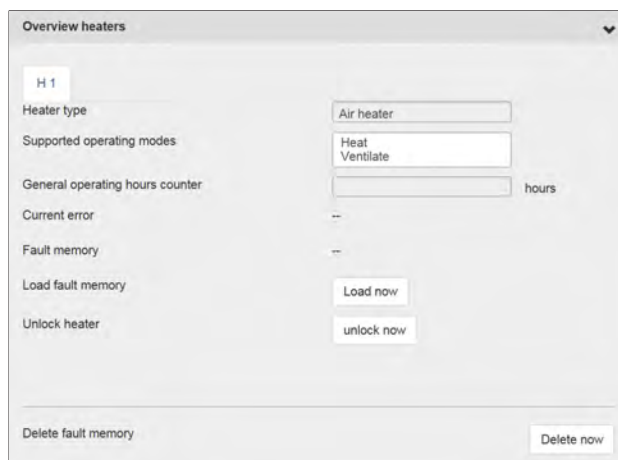
• **Resetting EasyStart Web**

- Reset to factory settings



• **Overview heaters**

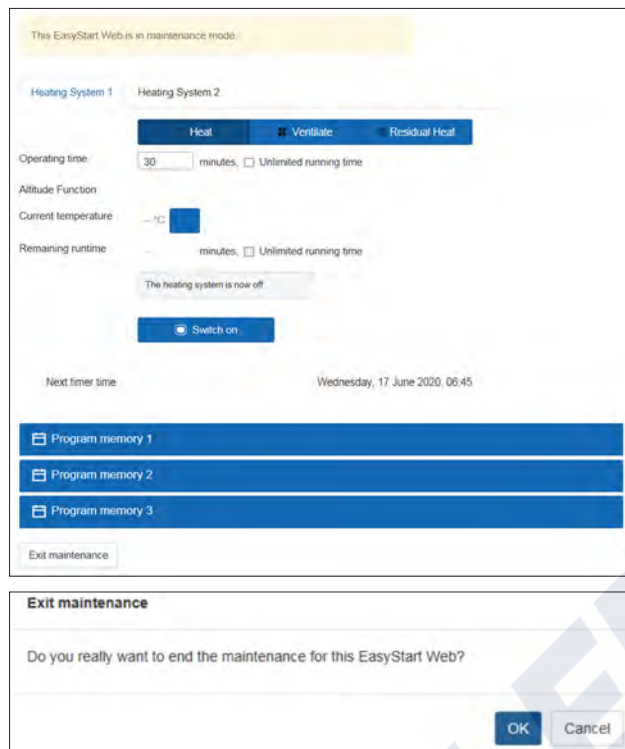
- Supported operating modes
- General operating hours counter
- Read out and delete heater's fault memory
- Load fault memory





### 4.2.2 After completing the settings

- Click the **Save changes to configuration** or **Reset form** buttons to then save or discard the configuration.
- After ending the configuration, perform a test run in "Immediate operation" mode.
- Click the **Switch on** button to start test mode.
- Following the run through test operation is ended. To do this, select the **Exit maintenance** button and then confirm the message.



- The initial startup is completed.

#### **i** NOTE

If errors were reported during the initial startup, determine the cause of the error in Chapter 5 "What to do if ...?" on page 14 first and then carry out the described remedies.

- When handing over the vehicle to the customer give them the packaging box and quick start guide with the access code (IMEI).

### 4.2.3 Combination option with EasyStart Pro

Used in combination with the EasyStart Pro control unit, up to two CAN-capable air or water heaters (e.g. Hydronic S3 and Airtronic 2) can be activated and programmed in parallel or independently of each other. Configuration and grouping are carried out during installation.

The following combinations are possible:

#### Two heaters

- Heater 1 (water or air heater)
- Heater 2 (water or air heater)

→ Each heater is operated individually.

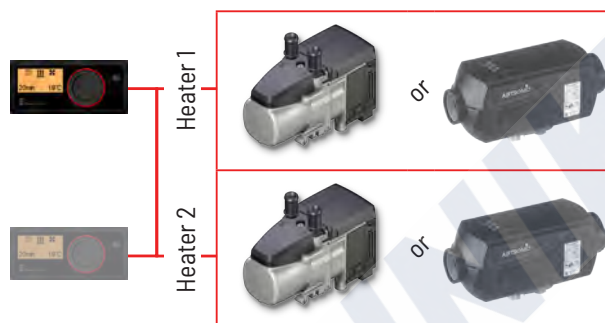


Figure 1: Max. 2 ES Pro with 2 separately controllable heaters

or

- Heater 1 (water heater)
- Heater 2 (water heater)

→ Both heaters are controlled simultaneously in a group.

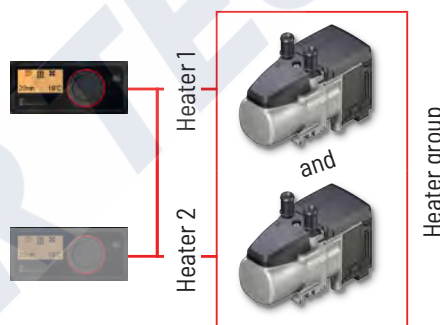


Figure 2: Max. 2 ES Pro with 2 water heaters in a group

or

- Heater 1 (air heater)
- Heater 2 (air heater)

→ Both heaters are controlled simultaneously in a group.

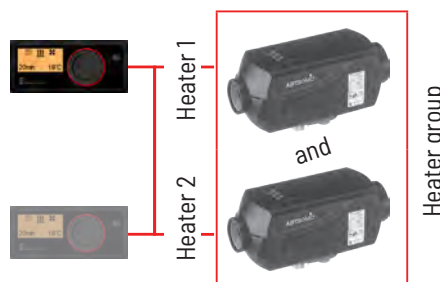


Figure 3: Max. 2 ES Pro with 2 air heaters in a group

#### **i** NOTE

For combination options of the EasyStart Web and EasyStart Pro control units, see Plus installation instructions.

## 5 What to do if ...?

### 5.1 Describe possible errors and faults, causes and remedies

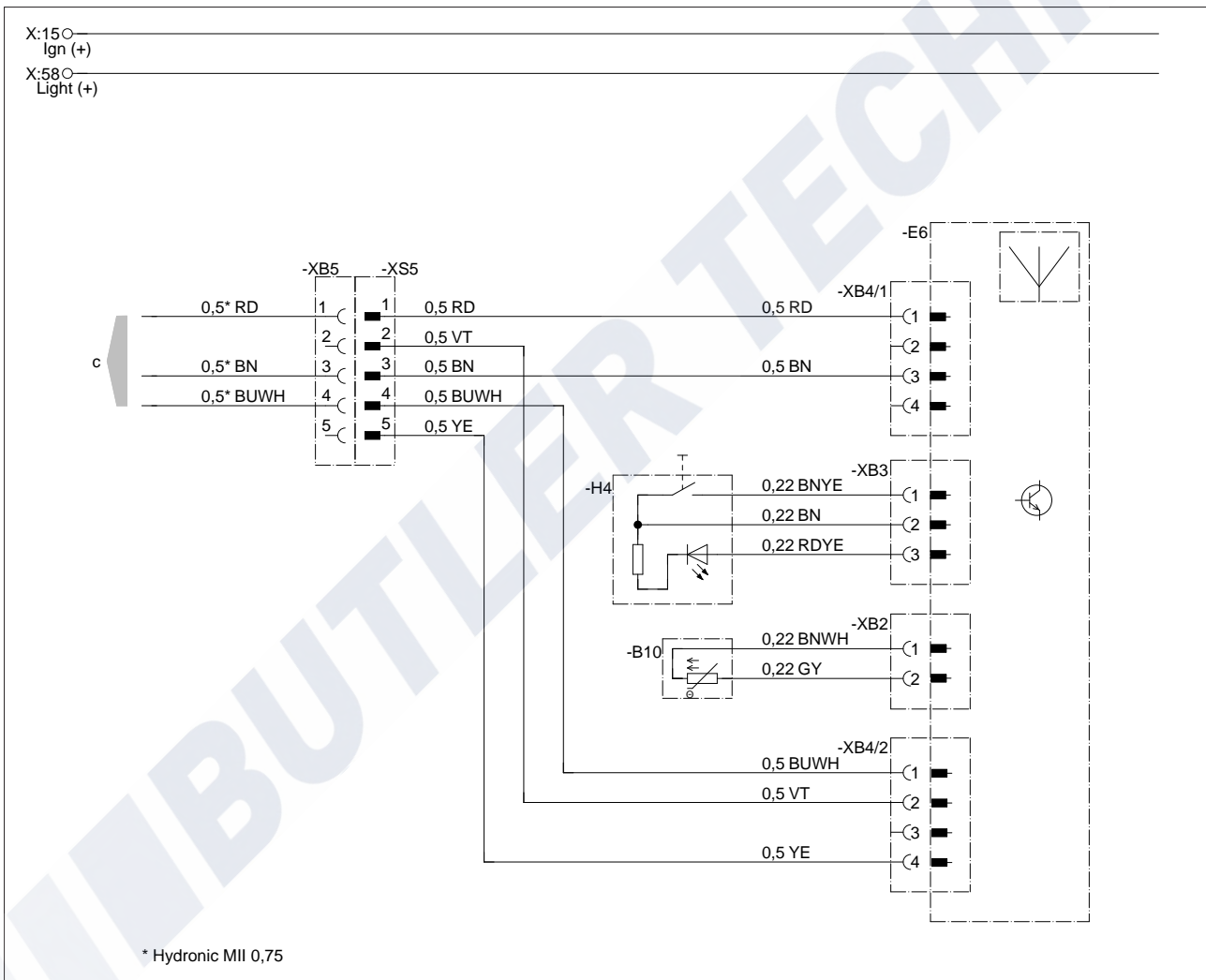
Display	Remedy / Customer
The button flashes.	Wait for automatic detection.
The unit combination is not permitted.	Check the wiring and correct any errors.
Short-circuit in the button of the EasyStart Web.	Check the wiring and remove the button if necessary. If the error is still queued, replace Easy Start Web, otherwise replace defective button.
Short circuit in the temperature sensor.	Check the wiring and remove the sensor if necessary. If the error is still queued, replace Easy Start Web, otherwise replace defective sensor.
No connection between EasyStart Web and the server.	Restart EasyStart Web using the button (Long press). If unsuccessful, remove the fuse for a short time and then re-insert it.
The heater does not exist.	Check the wiring and fuse of the heater and correct error if necessary.
The heater settings stored on the web server do not match the EasyStart Web setting.	Perform automatic detection again by removing the fuse.
The measured value of the temperature sensor is invalid.	Check the wiring and correct any errors. Replace the temperature sensor.
The optional control unit is not responding.	Check the wiring and correct any errors.
Undervoltage detected by EasyStart Web.	Charge the battery. Check the heater's power supply.
No communication possible between EasyStart Web and the heater.	Check the wiring and fuse of the heater and correct error if necessary.
The heater is not responding.	Check the wiring and fuse of the heater and correct any errors.
The heater has a hardware fault.	Perform the diagnosis at the heater.
You do not have access to this EasyStart Web.	Ask the customer for the approval code.
EasyStart Web is not ready for use.	Ensure mobile phone network supply. Check the fuse and correct error if necessary.
Unable to find EasyStart Web with the access code.	Contact the support service.
Use of the service is not enabled for this EasyStart Web.	Renew service.
The heater cannot be switched on using the button.	Check the heater's fuse. Contact the support service. Check whether the heater has been installed correctly. Check whether EasyStart Web has been configured suitable for the heater.
A programmed timer is not executed.	Delete timer and reprogram.
Your EasyStart Web currently has no mobile phone network reception.	Ensure mobile phone network supply. Check the fuse and correct error if necessary.

## 6 Electrics

### 6.1 Circuit diagram, EasyStart Web connection to Hydronic, Hydronic 2, Hydronic M-II and Hydronic S3 CL

**i NOTE**

These installation instructions describe the standard configuration. For details of enhanced configuration of the EasyStart Web with control units and for special functions, the "Installation Instructions PLUS – Easy Start / Altitude Kit / Special Functions and Diagnosis" are available to view and download from the partner portal.



Parts list

- B10 EasyStart Web interior temperature sensor
- E6 EasyStart Web radio remote control
- H4 EasyStart Web button
- c to the heater

22.1000.34.9719

**Cable colours**

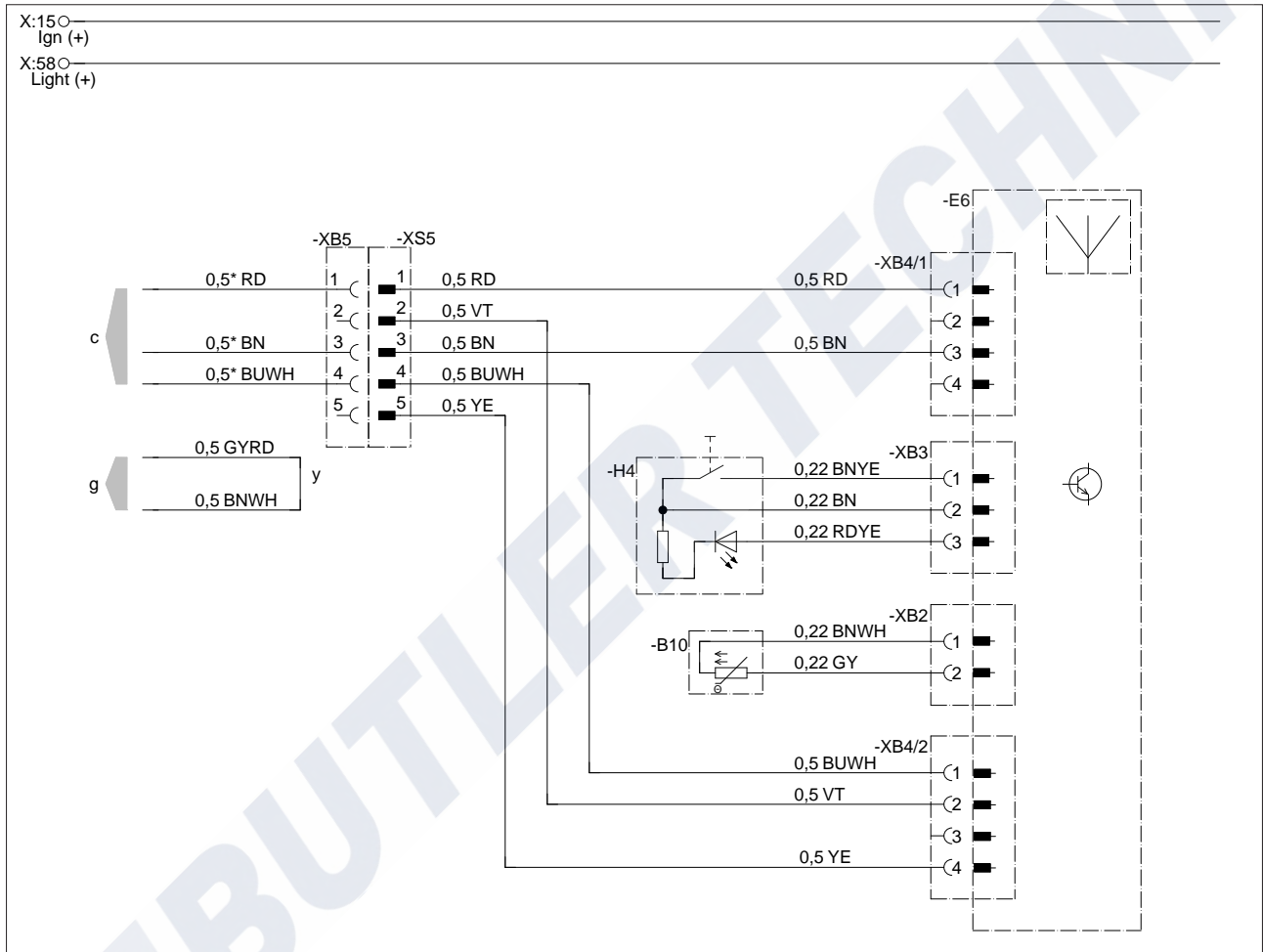
RD = red	GR = grey	BK = black	WH = white	VT = violet
BU = blue	YE = yellow	GN = green	OR = orange	BN = brown



6.2 Circuit diagram, EasyStart Web connection to Airtronic, Airtronic M and Airtronic L

**i NOTE**

These installation instructions describe the standard configuration. For details of enhanced configuration of the EasyStart Web with control units and for special functions, the "Installation Instructions PLUS – Easy Start / Altitude Kit / Special Functions and Diagnosis" are available to view and download from the partner portal.



Parts list

- B10 EasyStart Web interior temperature sensor
- E6 EasyStart Web radio remote control
- H4 EasyStart Web button

- c to the heater
- g to the heater
- y Connect cables and insulate

22.1000.34.9721

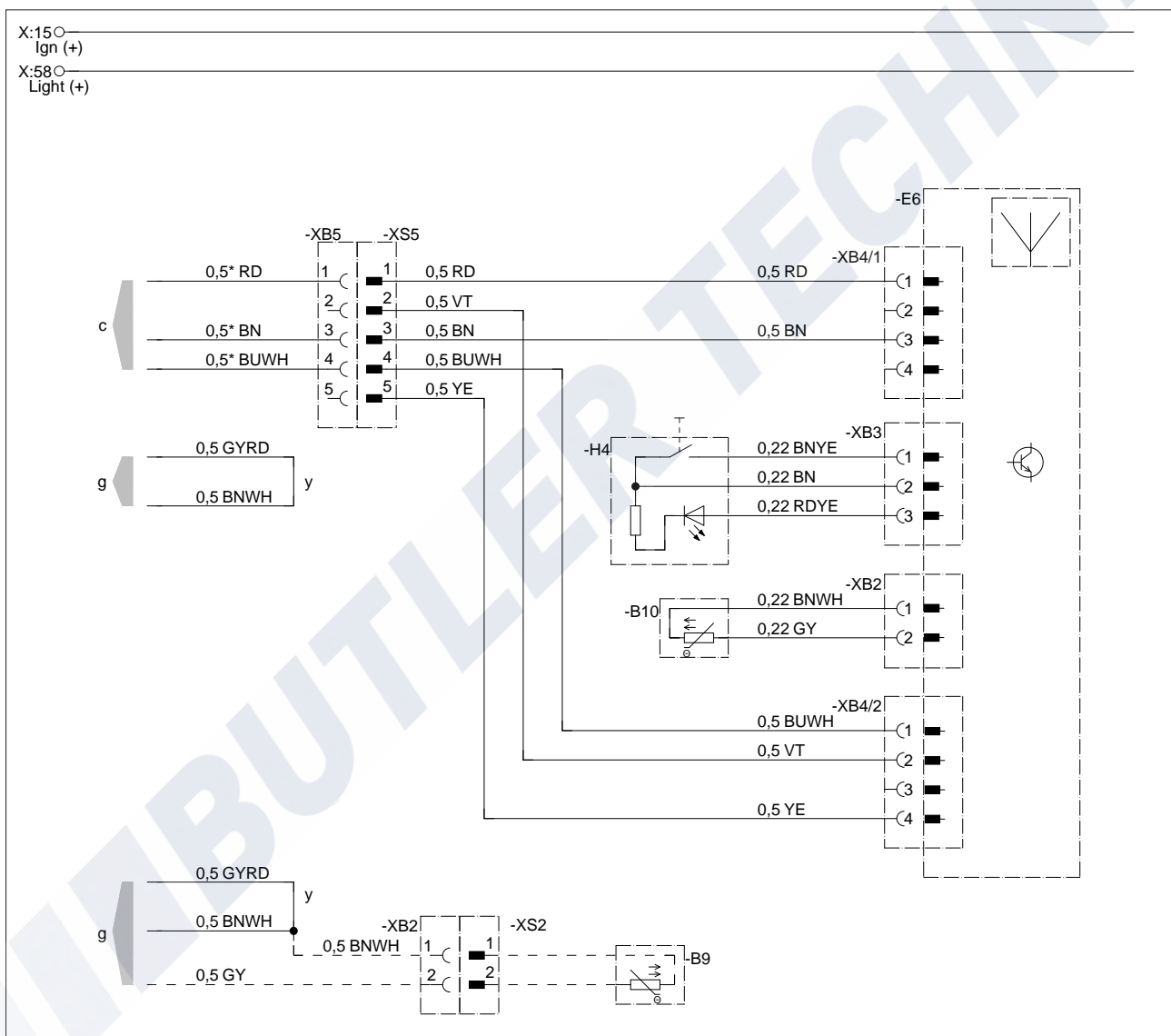
**Cable colours**

RD = red	GR = grey	BK = black	WH = white	VT = violet
BU = blue	YE = yellow	GN = green	OR = orange	BN = brown

6.3 Circuit diagram, EasyStart Web and temperature sensor connection to Airtronic, Airtronic M and Airtronic L

**i NOTE**

These installation instructions describe the standard configuration. For details of enhanced configuration of the EasyStart Web with control units and for special functions, the "Installation Instructions PLUS – Easy Start / Altitude Kit / Special Functions and Diagnosis" are available to view and download from the partner portal.



Parts list

- |      |   |   |                             |
|------|---|---|-----------------------------|
| -B9  | External control temperature sensor, interior | c | to the heater               |
| -B10 | EasyStart Web interior temperature sensor     | g | to the heater               |
| -E6  | EasyStart Web radio remote control            | y | Connect cables and insulate |
| -H4  | EasyStart Web button                          |   |                             |

22.1000.34.9761

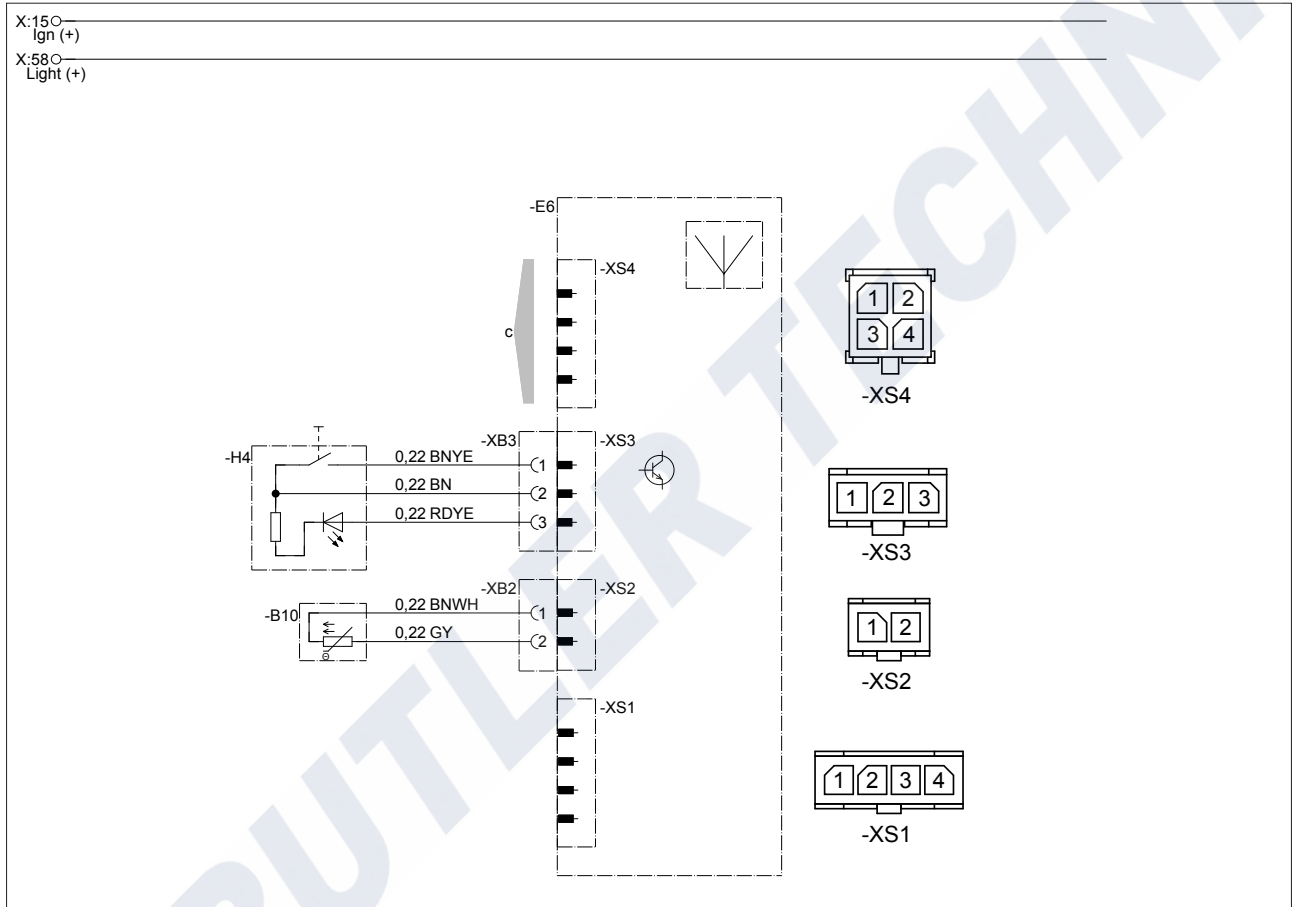
**Cable colours**

RD = red	GR = grey	BK = black	WH = white	VT = violet
BU = blue	YE = yellow	GN = green	OR = orange	BN = brown

6.4 Circuit diagram, EasyStart Web connection to Hydronic S3 CS

**NOTE**

These installation instructions describe the standard configuration. For details of enhanced configuration of the EasyStart Web with control units and for special functions, the "Installation Instructions PLUS – Easy Start / Altitude Kit / Special Functions and Diagnosis" are available to view and download from the partner portal.



Parts list

- E6 EasyStart Web radio remote control
- H4 EasyStart Web button
- B10 Sensor, interior temperature
- c to the heater

22.1000.34.97x2.0x

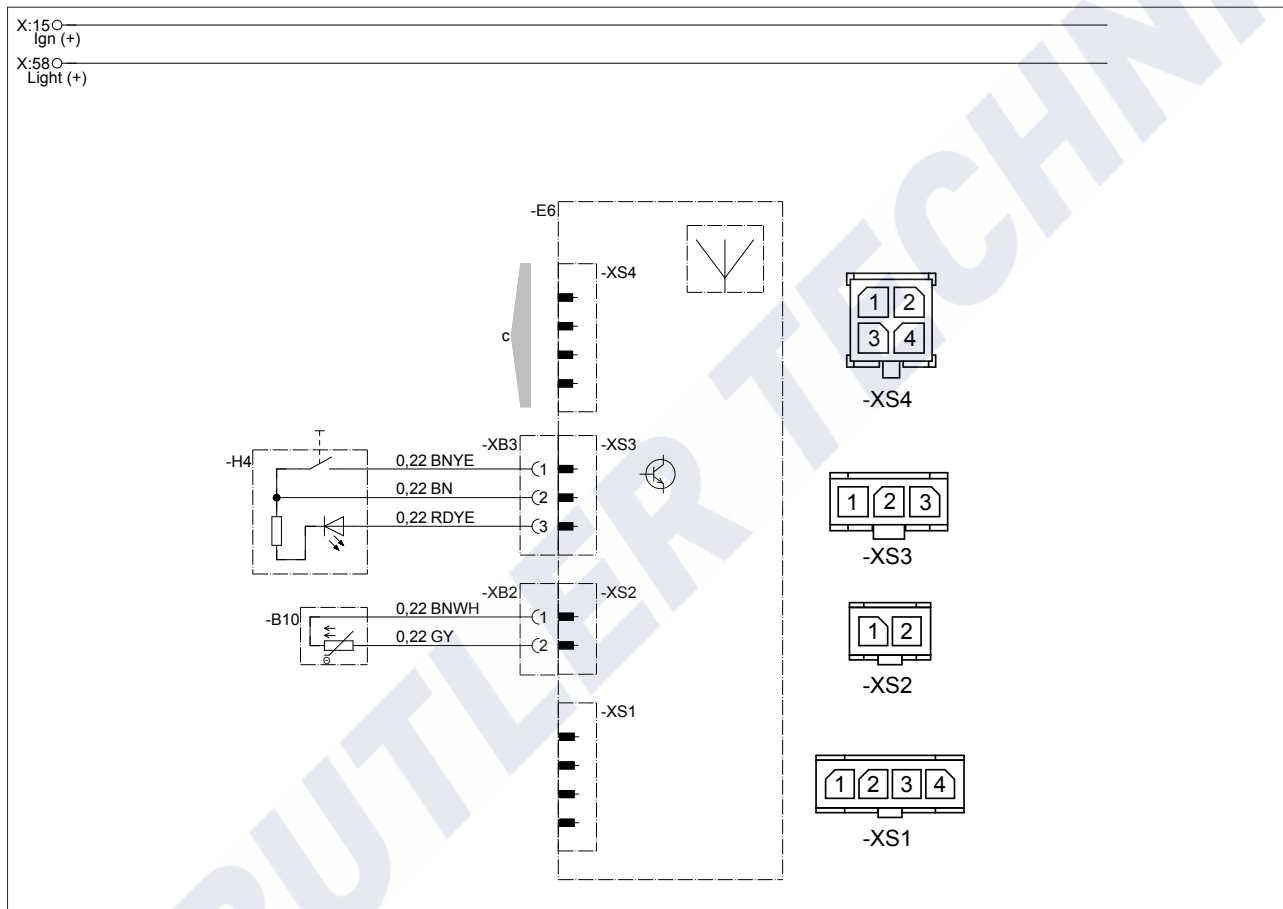
**Cable colours**

RD = red	GR = grey	BK = black	WH = white	VT = violet
BU = blue	YE = yellow	GN = green	OR = orange	BN = brown

6.5 Circuit diagram, EasyStart Web connection to Airtronic 2 and Airtronic 3

**NOTE**

These installation instructions describe the standard configuration. For details of enhanced configuration of the EasyStart Web with control units and for special functions, the "Installation Instructions PLUS – Easy Start / Altitude Kit / Special Functions and Diagnosis" are available to view and download from the partner portal.



Parts list

- B10 EasyStart Web interior temperature sensor
- E6 EasyStart Web radio remote control
- H4 EasyStart Web button

- c to the heater
- g to the heater
- y Connect cables and insulate

22.1000.34.97x1.0x

**Cable colours**

RD = red	GR = grey	BK = black	WH = white	VT = violet
BU = blue	YE = yellow	GN = green	OR = orange	BN = brown

## 7 Service

### 7.1 Technical Support

If you have any technical questions or problems with the heater, the control unit or the operating software, please contact the following service address:

[support-UK@eberspaecher.com](mailto:support-UK@eberspaecher.com)

BUTLER TECHNİK

BUTLER TECHNIK



**BUTLER TECHNIK**

Eberspächer Climate Control Systems GmbH  
Eberspächerstraße 24  
73730 Esslingen  
Germany  
[info@eberspaecher.com](mailto:info@eberspaecher.com)  
[www.eberspaecher.com](http://www.eberspaecher.com)

Eberspacher (UK) Ltd.  
Climate House, Yeoman Road  
Ringwood, Hampshire BH24 3FA  
[www.eberspaecher.co.uk](http://www.eberspaecher.co.uk)