

## SPARE PARTS LIST M2 D4R



**This spare parts list is valid for the following engine-independent water heaters:**

**Air heaters for diesel fuel**

Airtronic S2, D2L, 12 V

**Order No.**

25.2721.05.0000

**Order No. incl. EasyStart Pro**

25.2753.05.0000

Airtronic S2, D2L, 24 V

25.2726.05.0000

25.2754.05.0000

Airtronic M2, D4L, 12 V

25.2720.05.0000

25.2755.05.0000

Airtronic M2, D4L, 24 V

25.2729.05.0000

25.2756.05.0000

Airtronic M2, D4R, 12 V

25.2746.05.0000

25.2757.05.0000

**Air heaters for petrol**

**Order No.**

**Order No. incl. EasyStart Pro**

Airtronic M2, B4L, 12 V

20.1987.05.0000

20.2032.05.0000

**Air heaters for ethanol**

**Order No.**

Airtronic S2, E2L, 12 V

25.3015.05.0000

Chapter	Chapter title	Page
	Chapter contents	
<b>1</b>	<b>Information</b>	
1.1	General information	3
1.2	Reference Documents	3
1.3	Determining the quantity required for the order	3
1.4	Using the nameplate to determine the production date	3
<b>2</b>	<b>Heater</b>	
2.1	Spare parts diagram	4
2.2	Spare parts list	5
<b>3</b>	<b>Electrics, fuel, hot air and combustion air system</b>	
3.1	Spare parts diagram	6
3.2	Spare parts list	7

## 1 Information

### 1.1 General information

This document is to be used when ordering spare parts for the heaters listed on the title page, to the exclusion of all liability claims.

Depending on the version or revision status of the heater, differences may occur compared to this documentation. Please check this before ordering the spare parts and take any possible differences into account.

### 1.2 Reference Documents

#### Technical description

Describes the function and proper installation and contains all information necessary for safe operation of the heater.

#### Repair instructions

Contains the necessary information for troubleshooting and for repair of the heater.

#### Installation recommendation

Describes vehicle-specific installation situations.

#### Installation Instructions Plus

Supplementary information on heaters and control units.

### 1.3 Determining the quantity required for the order

The information in the “quantity per unit” and “quantity per SU” (sales unit) columns is used to determine the quantity of a spare part required and the SU (sales units) to be ordered.

#### Quantity per unit

The number in this column indicates how many of the spare part concerned are installed in the whole unit.

#### Quantity per SU

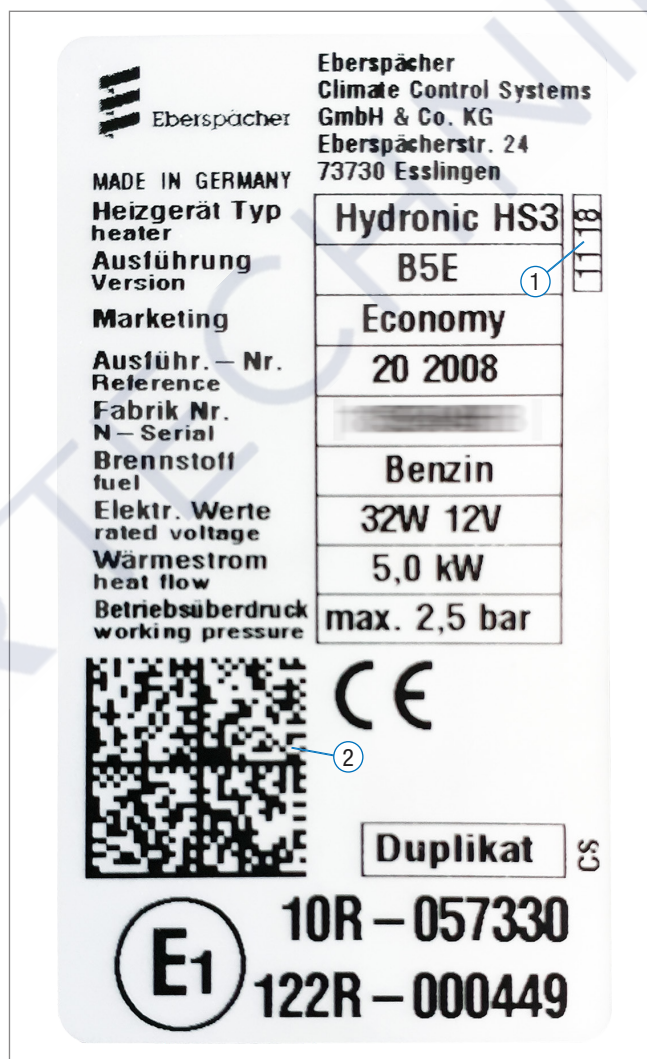
The number in this column indicates how many of the spare part concerned are contained in one SU (sales unit).

#### Order No. (SU)

The order number refers to an SU.

### 1.4 Using the nameplate to determine the production date

To place the spare parts order correctly, in some cases it is necessary to determine the production date of the heater before ordering the spare part. There are two options for doing this on the heater's nameplate.



#### 1 Determination of the calendar week

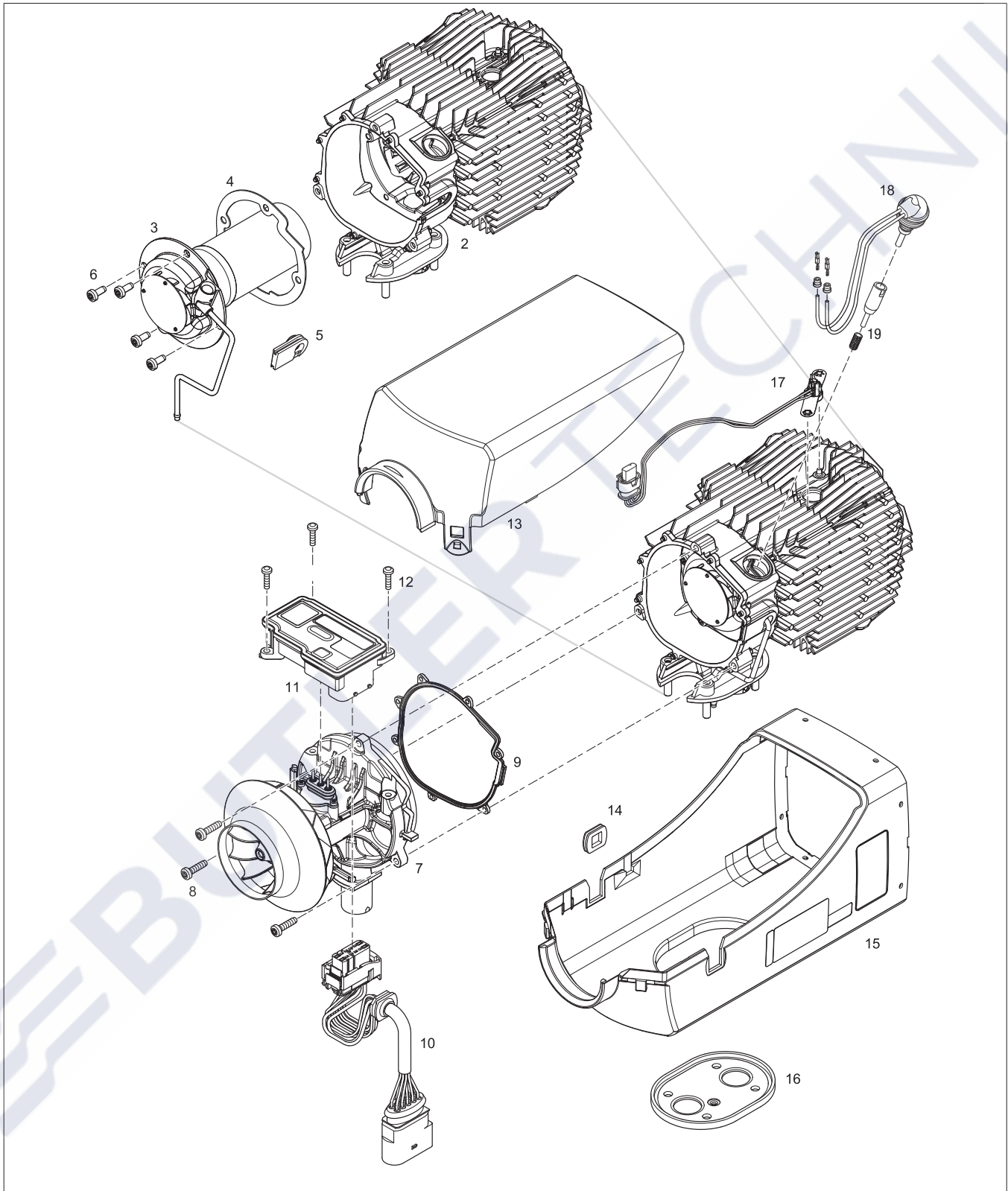
- Representation of the production calendar week as a four-digit number (e.g. “1118” = calendar week 11 in year 2018)

#### 2 Determining the date

- Scan the QR code with a QR code reader.
- The production date is given by the 8-digit representation of the date in the third from last position of the read out text (e.g. “14032018” = 14 March 2018)

## 2 Heater

### 2.1 Spare parts diagram

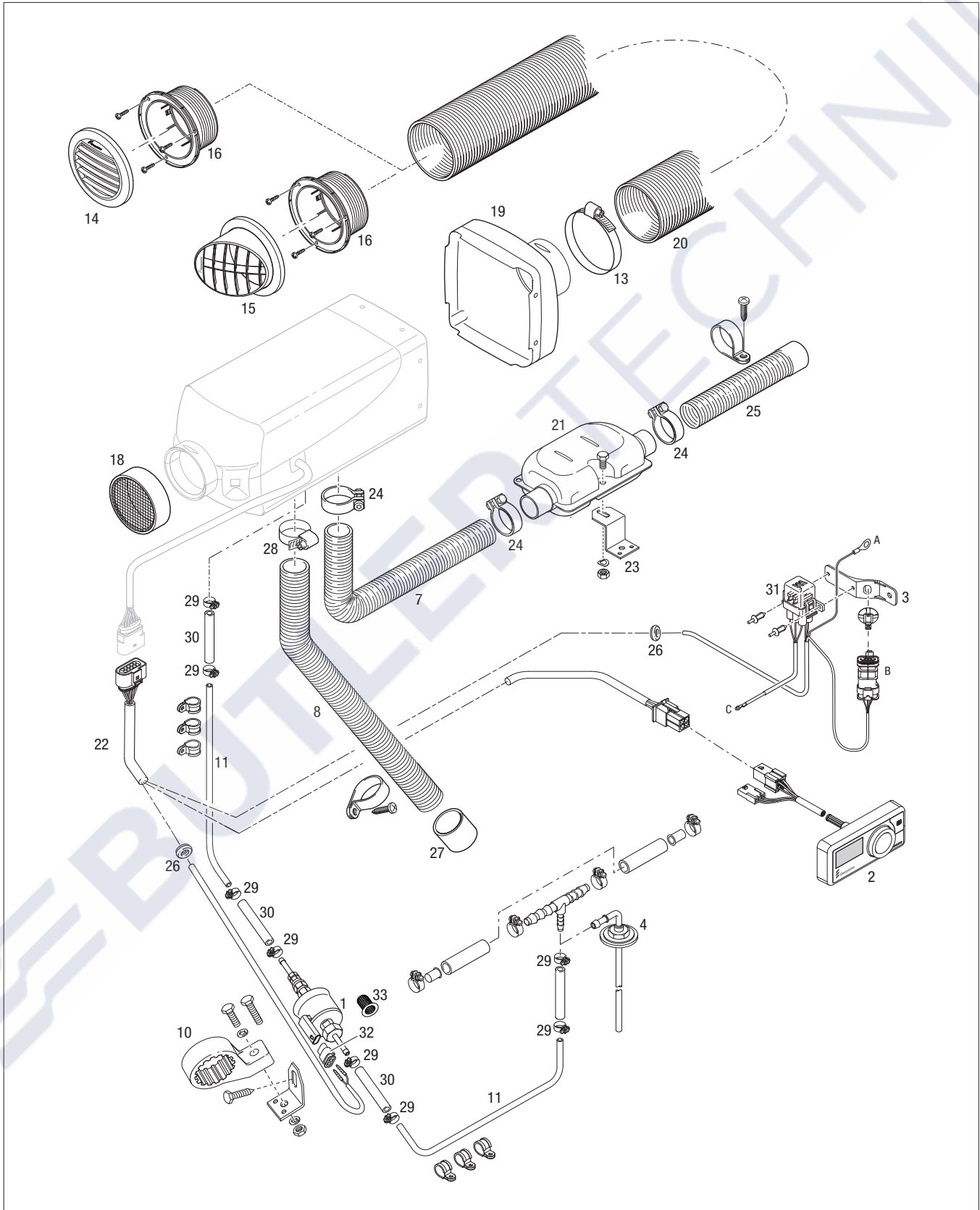


## 2.2 Spare parts list

Item No.	Quantity per unit	Quantity per SU	Designation	Order No. (SU)	For unit																	
					B 4 L, 12 V – 20.1987.05	B 4 L, 12 V – 20.2032.05	D 2 L, 12 V – 25.2721.05	D 2 L, 12 V – 25.2753.05	D 2 L, 24 V – 25.2726.05	D 2 L, 24 V – 25.2754.05	D 4 L, 12 V – 25.2720.05	D 4 L, 12 V – 25.2755.05	D 4 L, 24 V – 25.2729.05	D 4 L, 24 V – 25.2756.05	D 4 R, 12 V – 25.2746.05	D 4 R, 12 V – 25.2757.05	E 2 L, 12 V – 25.3015.05					
2	1	1	Heat exchanger incl. seal	25.2720.99.0601																		
				25.2721.99.0601																		
				20.1987.99.0601																		
3	1	1	Combustion chamber incl. screws, <a href="#">Item 6</a>	25.2720.99.1000																		
				25.2721.99.1000																		
				20.1987.99.1000																		
4	1	1	Combustion chamber seal	25.2113.06.0001																		
				25.2069.06.0001																		
5	1	1	Grommet	25.2720.06.0002																		
6	4	100	Cheese-head screw M 5 x 12 Torx	<a href="#">Item 3</a>																		
7	1	1	Blower 12 V incl. screws, <a href="#">Item 8</a>	25.2720.99.1500																		
				25.2721.99.1500																		
				25.2746.99.1500																		
			Blower 24 V incl. screws, <a href="#">Item 8</a>	25.2726.99.1500																		
				25.2729.99.1500																		
8	3	100	Cheese-head screw M 4 x 10 Torx	<a href="#">Item 7</a>																		
9	1	1	Seal, blower	25.2720.01.0003																		
				25.2721.01.0003																		
10	1	1	Cable harness heater	25.2720.99.0103																		
11	1	1	Control box 12 V	20.1987.99.5000																		
				25.2721.99.5000																		
				25.2720.99.5000																		
	Control box 24 V	25.2746.99.5000																				
		25.3015.99.5000																				
		25.2726.99.5000																				
25.2729.99.5000																						
12	3	100	Cheese-head screw M 4 x 16 Torx	25.2281.01.0031																		
13	1	1	Jacket shell, top	25.2113.01.0001																		
				25.2069.01.0600																		
14	1	1	Grommet	25.2069.01.0001																		
15	1	1	Jacket shell, bottom	25.2113.01.0100																		
				25.2069.01.0100																		
16	1	1	Seal, flange	25.2069.01.0002																		
17	1	1	Sensor, flame monitoring, overheating incl. connector	25.2720.99.4000																		
18	1	1	Glow plug with socket spanner, 12 V	25.2720.99.0106																		
			Glow plug with socket spanner, 24 V	25.2729.99.0106																		
19	1	1	Lining plug nozzle with tool	25.2069.10.0102																		

### 3 Electrics, fuel, hot air and combustion air system

#### 3.1 Spare parts diagram



### 3.2 Spare parts list

Item No.	Quantity per unit	Quantity per SU	Designation	Order No. (SU)	For unit																			
					B 4 L, 12 V – 20.1987.05	B 4 L, 12 V – 20.2032.05	D 2 L, 12 V – 25.2721.05	D 2 L, 12 V – 25.2753.05	D 2 L, 24 V – 25.2726.05	D 2 L, 24 V – 25.2754.05	D 4 L, 12 V – 25.2720.05	D 4 L, 12 V – 25.2755.05	D 4 L, 24 V – 25.2729.05	D 4 L, 24 V – 25.2756.05	D 4 R, 12 V – 25.2746.05	D 4 R, 12 V – 25.2757.05	E 2 L, 12 V – 25.3015.05							
1	1	1	Fuel metering pump, 12 V	22.4552.03.0000	•	•	•	•																
			not ill. Fuel metering pump, 24 V	22.4553.01.0000					•	•														
2	1	1	Control unit EasyStart Pro (optional)	22.1000.35.2200	•	•	•	•	•	•	•	•	•	•	•	•	•	•	•	•	•	•		
3	1	1	Bracket diagnostic connector, combi-clip	22.1000.51.4900	•	•	•	•	•	•	•	•	•	•	•	•	•	•	•	•	•	•		
4	1	1	Fuel remover	25.1226.89.5000	•	•	•	•	•	•	•	•	•	•	•	•	•	•	•	•	•	•		
7	1	1	Exhaust pipe, flexible di = 24 mm, L = 900 mm	360.61.274	•	•	•	•	•	•	•	•	•	•	•	•	•	•	•	•	•	•		
8	1	1	Flexible pipe Ø 25 mm	360.00.006	•	•	•	•	•	•	•	•	•	•	•	•	•	•	•	•	•	•		
10	1	1	Bracket fuel metering pump	22.1000.50.0300	•	•	•	•	•	•	•	•	•	•	•	•	•	•	•	•	•	•		
11	1	8 m	Pipe 4 x 1 mm	890.31.054	•	•	•	•	•	•	•	•	•	•	•	•	•	•	•	•	•	•		
13	1	1	Hose clip 50 – 70 mm	10.2067.05.0070	•	•	•	•	•	•	•	•	•	•	•	•	•	•	•	•	•	•		
			70 – 90 mm	10.2067.07.0090	•	•	•	•	•	•	•	•	•	•	•	•	•	•	•	•	•	•	•	
14	1	1	Air outlet, straight, rotatable Ø 60 mm	22.1000.01.0044			•	•	•	•														
			Ø 75 mm, Ø 90 mm	22.1000.01.0052	•	•																		
15	1	1	Air outlet, angled, rotatable Ø 60 mm	22.1000.01.0056			•	•	•	•												•		
			Ø 75 mm, Ø 90 mm	22.1000.01.0060	•	•																		
16	1	1	Connection socket Ø 60 mm	22.1000.01.0035			•	•	•	•														
			Ø 90 mm	22.1000.01.0037	•	•																		
			Ø 75 mm	22.1000.01.0036	•	•	•	•	•	•	•	•	•	•	•	•	•	•	•	•	•	•	•	•
18	1	1	Grille Ø 60 mm	25.1688.80.0600			•	•	•	•												•		
			Ø 75 mm	25.1552.05.0100	•	•																		
19	1	1	Hood Ø 60 mm	22.1000.01.0016			•	•	•	•													•	
			Ø 90 mm	22.1000.01.0019	•	•																		
			Ø 75 mm	22.1000.01.0017			•	•	•	•														•
			Ø 75 mm	22.1000.01.0018	•	•																		
20	1	1	Flexible pipe Ø 60 mm	10.2114.31.0000			•	•	•	•												•		
			Ø 90 mm	10.2114.37.0000	•	•																		
			Ø 75 mm	10.2114.34.0000	•	•	•	•	•	•	•	•	•	•	•	•	•	•	•	•	•	•	•	•
21	1	1	Exhaust silencer	25.1864.81.0100	•	•	•	•	•	•	•	•	•	•	•	•	•	•	•	•	•	•		
22	1	1	Cable harness heater	25.2720.80.1100	•	•	•	•	•	•	•	•	•	•	•	•	•	•	•	•	•	•		
23	1	1	Bracket exhaust silencer, Z shape	20.1533.88.0007	•	•	•	•	•	•	•	•	•	•	•	•	•	•	•	•	•	•		
			Bracket exhaust silencer, L shape	20.1348.03.0004	•	•	•	•	•	•	•	•	•	•	•	•	•	•	•	•	•	•	•	•
24	3	10	Pipe clip	22.1000.51.4400	•	•	•	•	•	•	•	•	•	•	•	•	•	•	•	•	•	•		
25	1	1	Exhaust pipe with end sleeve, flexible di = 24 mm, L = 300 mm	20.1731.80.0400	•	•	•	•	•	•	•	•	•	•	•	•	•	•	•	•	•	•		
26	2	100	Grommet	20.1280.09.0103	•	•	•	•	•	•	•	•	•	•	•	•	•	•	•	•	•	•		
27	1	1	End sleeve, combustion air	25.1729.89.0002	•	•	•	•	•	•	•	•	•	•	•	•	•	•	•	•	•	•		

Item No.	Quantity per unit	Quantity per SU	Designation	Order No. (SU)	For unit																	
					B 4 L, 12 V – 20.1987.05	B 4 L, 12 V – 20.2032.05	D 2 L, 12 V – 25.2721.05	D 2 L, 12 V – 25.2753.05	D 2 L, 24 V – 25.2726.05	D 2 L, 24 V – 25.2754.05	D 4 L, 12 V – 25.2720.05	D 4 L, 12 V – 25.2755.05	D 4 L, 24 V – 25.2729.05	D 4 L, 24 V – 25.2756.05	D 4 R, 12 V – 25.2746.05	D 4 R, 12 V – 25.2757.05	E 2 L, 12 V – 25.3015.05					
28	1	10	Hose clip Ø 20 – 32 mm	10.2067.02.0032	•	•	•	•	•	•	•	•	•	•	•	•	•	•	•	•	•	•
29	8	100	Hose clip Ø 9 mm	10.2068.00.9098	•	•	•	•	•	•	•	•	•	•	•	•	•	•	•	•	•	•
30	1	1	Hose i = 3.5 / 3 mm	360.75.300	•	•	•	•	•	•	•	•	•	•	•	•	•	•	•	•	•	•
31	1	1	Fuse bracket, complete set	22.1000.31.0600	•	•	•	•	•	•	•	•	•	•	•	•	•	•	•	•	•	•
32	1	1	Connector for metering pump	206.31.294	•	•	•	•	•	•	•	•	•	•	•	•	•	•	•	•	•	•
33	1	1	Pot-type strainer for metering pump	20.1312.00.0006	•	•	•	•	•	•	•	•	•	•	•	•	•	•	•	•	•	•



 BUTLER TECHNIK

BUTLER TECHNİK

 BUTLER TECHNIK

BUTLER TECHNİK

Eberspächer Climate Control  
Systems GmbH & Co. KG  
Eberspächerstraße 24  
73730 Esslingen  
Germany  
info@eberspaecher.com  
www.eberspaecher.com

