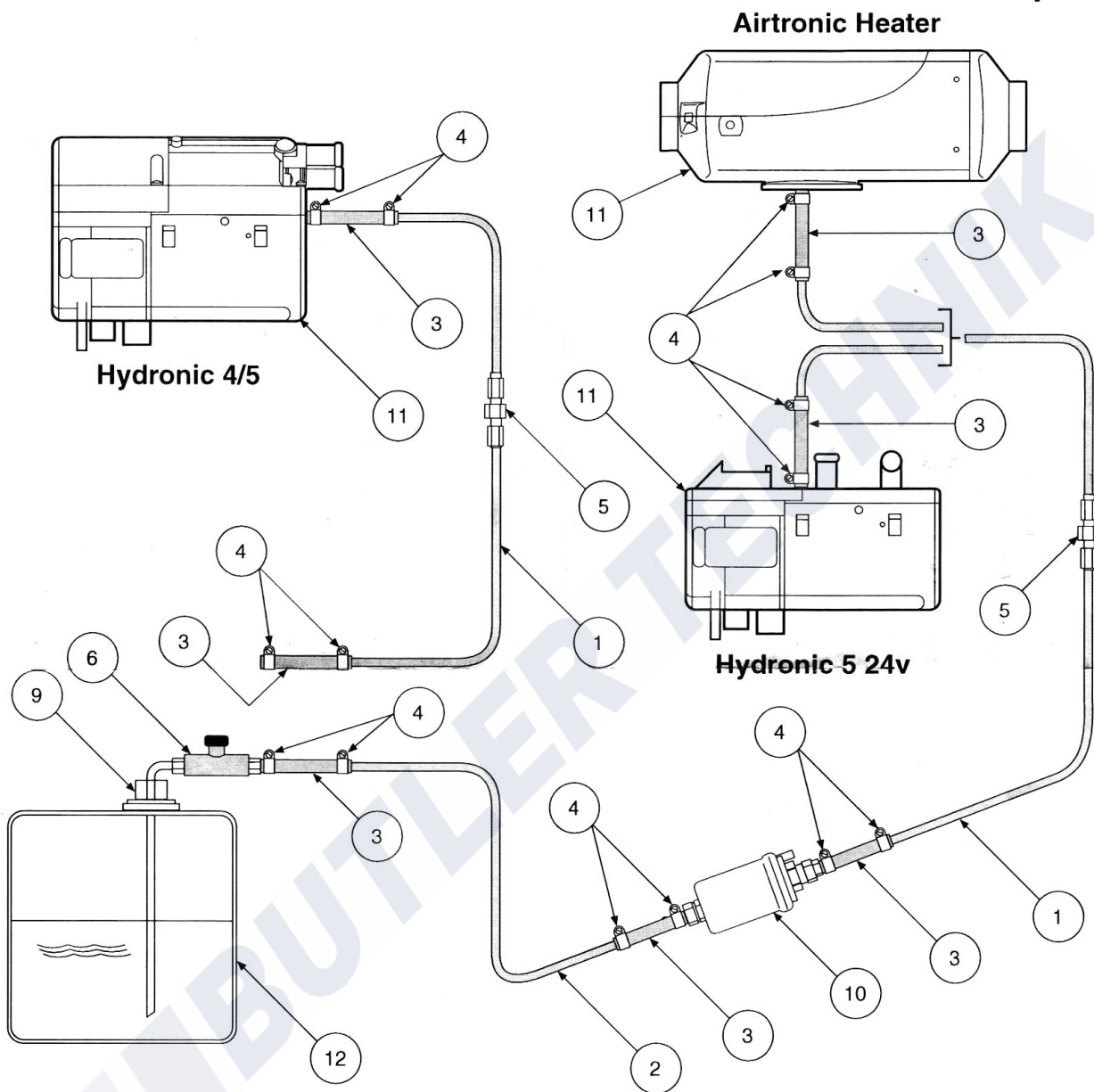


Instruction to Install Fuel System to RCD 94/25/EC & ISO EN10088 Specification

For Eberspächer Heaters up to 6kW



Eberspächer

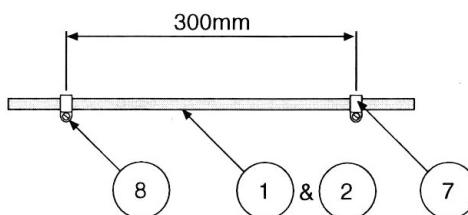


Parts List (for Kit No. E6577)

Item	Description	Part No.
1.	4m M4 Copper Tube Beaded	17874
2.	2m M4 Copper Tube Beaded	17873
3.	Hose 3.5mm ISO 7840	360 75 206
4.	Clip 10mm	11083
5.	M4 Coupling	17015
6.	Fuel Tap Lever M6/M4 Firtree	17887
7.	Clip "P" Brass	17534
8.	Brass Screw	19880
9.	Standpipe 6mm O/D, 2mm I/D	Existing
10.	F M Pump	Existing
11.	Heater	Existing
12.	Fuel Tank	Existing

If 4mm fuel line requires shortening the middle section must be removed and joined with M4 coupling (5).

This allows the use of the beaded ends as required to meet the RCD 94/25/EC and ISO EN10088.



Maximum advisable distance between fuel line clips.