

SPARE PARTS LIST

AIR HEATER V7S



**THE SPARE PARTS LIST IS VALID FOR THE FOLLOWING ENGINE-
INDEPENDENT AIR HEATERS:**

Heaters for diesel

V 7 S – 24 V 25 1728 00 00 00

V 7 S – 24 V 25 2239 05 00 00

INFORMATION

DETERMINATION OF THE QUANTITY REQUIRED FOR THE ORDER

The information in the "Number of units per device" column is used to determine the required quantity of a spare part.

NUMBER OF UNITS PER DEVICE

The number in this column indicates how many units of the spare part concerned are installed in the whole device.

ORDER NO.

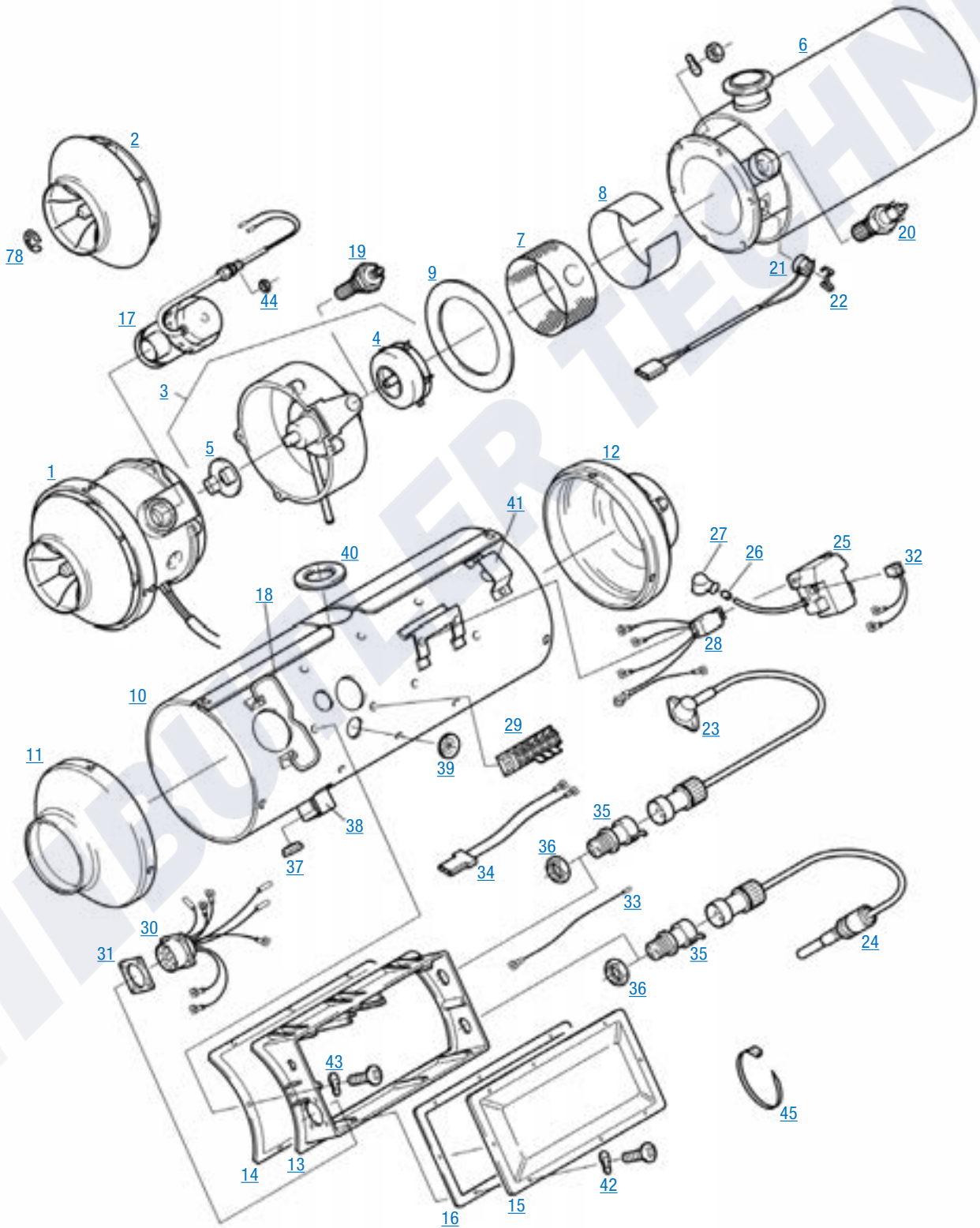
The order number relates to one spare part.

CONTENTS

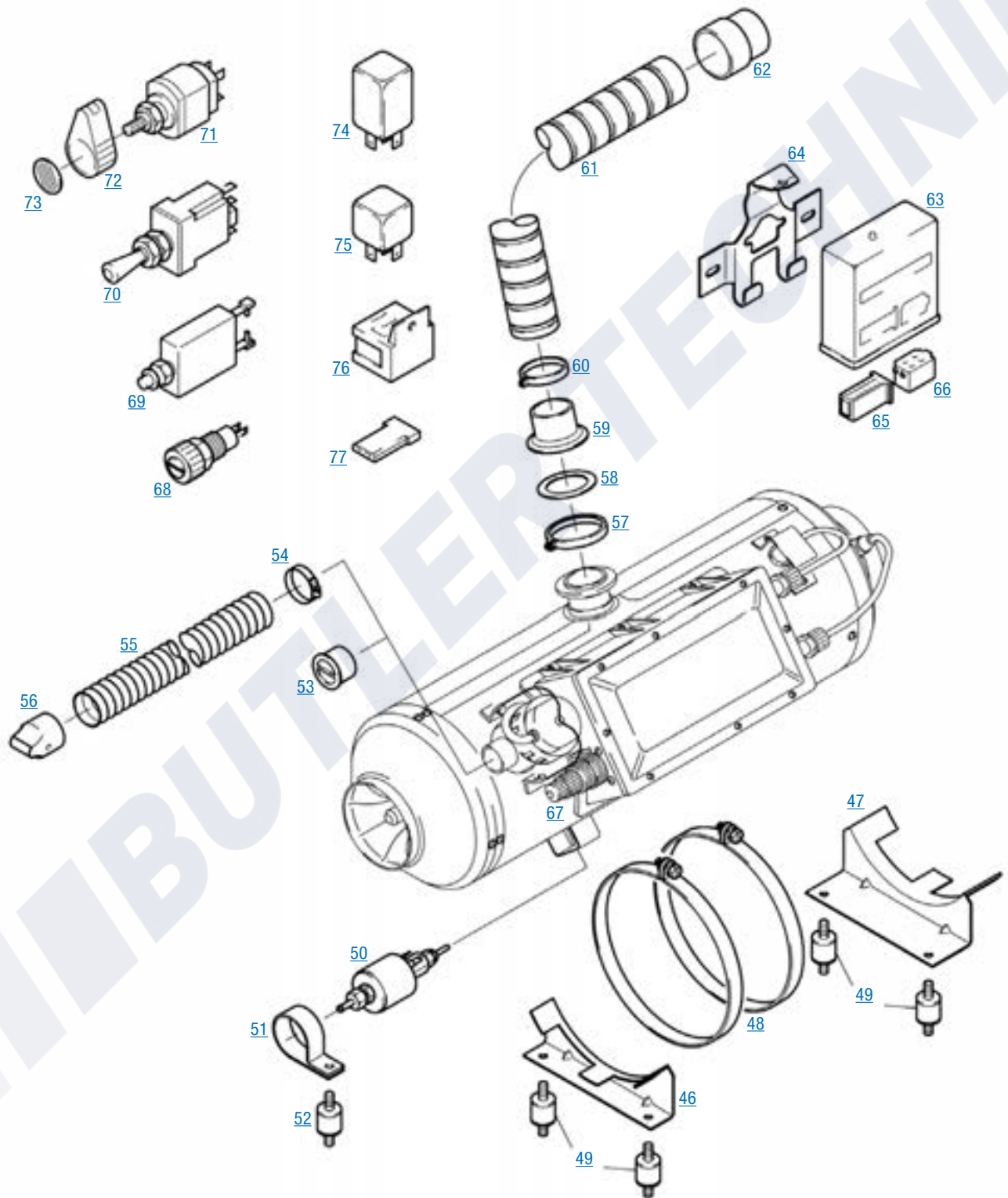
CHAPTER	TITLE	CONTENT	PAGE
1	Heater and Attachments	Spare parts diagram	4
		Spare parts list	6

1 HEATER AND ATTACHMENTS

SPARE PARTS DIAGRAM



1 HEATER AND ATTACHMENTS



1 HEATER AND ATTACHMENTS

SPARE PARTS LIST

Item No.	Number of units per device	Designation	Order no.	For device	
				25 1728 00	25 2239 05
1	1	Fan 24 V, complete (including Item 2)	25 1728 20 00 00 25 2239 20 00 00	•	•
2	1	Impeller	25 1728 20 15 00	•	•
3	1	Rotary distributor, complete	25 1728 15 00 00	•	•
4	1	Rotary distributor	25 1728 15 01 00	•	•
5	1	Coupling, complete	25 1728 15 05 00	•	•
6	1	Heat exchanger	25 1728 06 00 00	•	•
7	1	Lining	25 1728 06 00 02	•	•
8	1	Insulation	25 1244 07 00 03	•	•
9	1	Seal	25 1226 01 00 04	•	•
10	1	Jacket, complete	25 1728 02 00 00	•	•
11	1	Shroud, d = ø 100 mm	25 1728 01 00 02	•	•
12	1	Shroud, d = ø 100 mm, complete	25 1728 01 10 00	•	•
13	1	Box	25 1728 01 00 04	•	•
14	1	Seal	25 1731 01 00 04	•	•
15	1	Cover	25 1731 01 00 03	•	•
16	1	Seal	25 1731 01 00 05	•	•
17	1	Valve	25 1728 01 11 00	•	•
18	1	Clamp	25 1728 01 00 07	•	•
19	1	Resistor, glow plug	25 1728 01 05 00	•	•
20	1	Glow plug	25 1731 01 00 06	•	•
21	1	Flame sensor	25 1766 36 00 00	•	•
22	1	Clamp	25 1728 01 00 10	•	•
23	1	Overheating sensor	25 1731 01 05 00	•	•
24	1	Temperature sensor	25 1728 01 14 00	•	•
25	1	Ignition spark pick-up	25 1683 01 04 00	•	•
26	1	Reducing bush	20 1714 01 00 02	•	•
27	1	Ignition cable plug	206 00 150	•	•
28	1	Suppression capacitor, complete	25 1728 01 07 00	•	•
29	1	Distribution strip	25 1728 01 16 00	•	•
30	1	Lead harness	25 1728 01 03 00	•	•

1 HEATER AND ATTACHMENTS

Item No.	Number of units per device	Designation	Order no.	For device	
				25 1728 00	25 2239 05
31	1	Seal	25 1731 01 00 07	•	•
32	1	Lead harness	25 1728 01 04 00	•	•
33	1	Lead	25 1728 01 02 00	•	•
34	1	Lead harness	25 1728 01 15 00	•	•
35	2	Bush housing	206 31 060	•	•
36	2	Lock nut	206 31 061	•	•
37	1	Grommet	20 1280 09 01 03	•	•
38	1	Cover	25 1728 01 00 12	•	•
39	1	Grommet	25 1766 01 00 10	•	•
40	1	Sealing ring, exhaust pipe	20 8542 11 00 02	•	•
41	1	Cover	25 1728 01 00 13	•	•
42	8	Washer, A 4.3	120 31 011	•	•
43	8	Washer, A 5.3	120 31 010	•	•
44	1	Lock nut	209 31 002	•	•
45	3	Cable tie, 2.5 × 100 mm	209 31 080	•	•
46	1	Bracket	25 1728 05 00 01	•	•
47	1	Bracket	25 1244 05 00 02	•	•
48	2	Clip	10 2069 19 22 09	•	•
49	4	Metal-rubber buffer	330 09 002	•	•
50	1	Fuel metering pump	22 4604 99 01 00	•	•
51	1	Clip, metering pump	152 10 039	•	•
52	1	Metal-rubber buffer	20 1609 05 00 04	•	•
53	1	End sleeve 30, HL	25 1766 05 00 01	•	•
54	1	Clip	10 2067 03 20 50	•	•
55	m	Combustion air hose, d = ø 30 mm	10 2114 25 00 00	•	•
56	1	End sleeve	25 1480 89 04 00	•	•
57	1	Clip	25 1244 89 00 01	•	•
58	1	Seal	25 1244 89 01 01	•	•
59	1	Pipe connecting sleeve	25 1444 05 03 00	•	•
60	1	Clip, exhaust pipe	152 09 004	•	•
61	m	Exhaust pipe, flexible, d = ø 42 mm	360 61 381	•	•

1 HEATER AND ATTACHMENTS

Item No.	Number of units per device	Designation	Order no.	For device	
				25 1728 00	25 2239 05
62	1	End sleeve	22 1000 40 02 00	•	•
63	1	Control box	25 1689 50 00 05	•	
			25 1689 50 00 51		•
64	1	Bracket	25 1688 65 00 01	•	•
65	1	Socket housing	25 1742 00 03 00	•	•
66	1	Socket housing (4-pin)	206 00 101	•	•
67	1	Connector housing, complete	25 1728 65 11 00	•	•
68	1	Indicator light	201 00 054	•	•
69	1	Overcurrent circuit-breaker	201 00 139	•	•
70	1	Toggle switch	201 09 001	•	•
71	1	Rotary rheostat, complete	25 1759 52 05 00	•	•
72	1	Rotary knob	201 00 017	•	•
73	1	Cover	201 00 018	•	•
74	1	Amplifier	25 1683 52 00 00	•	•
75	1	Relay	203 00 066	•	•
76	2	Plug-in socket (5-pin)	203 00 085	•	•
77	1	Socket housing (3-pin)	206 31 309	•	•
78	1	E-clip	171 09 001	•	•

Headquarters:

J. Eberspächer GmbH & Co. KG
Eberspächerstraße 24
D - 73730 Esslingen
Hotline: 0800 1234300
Fax hotline: 01805 262624
info@eberspaecher.com
www.eberspaecher.com

