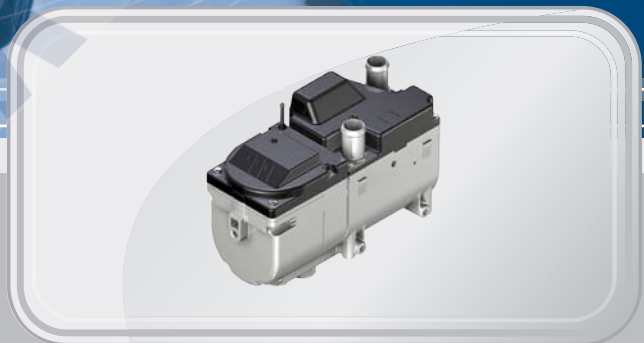


# SPARE PARTS LIST

## HYDRONIC II C



**THE SPARE PARTS LIST IS ONLY VALID FOR THE FOLLOWING ENGINE-INDEPENDENT WATER HEATERS**

Heaters for diesel

D 5 S – 12 V    25 2506 05 00 00

D 5 S – 24 V    25 2507 05 00 00

## INFORMATION

### **DETERMINATION OF THE QUANTITY REQUIRED FOR THE ORDER**

To determine the quantity of a spare part required and the "VE" (sales units) to order, use the information in the "Number of units per device" and "Number of units per VE" (sales unit or stock-keeping unit)".

### **NUMBER OF UNITS PER DEVICE**

The number in this column indicates how many units of the spare part concerned are installed in the whole device.

### **NUMBER OF UNITS PER VE**

The number in this column indicates how many units of the spare part concerned are included in one sales unit (VE).

### **ORDER NO.**

The order number relates to one sales unit.

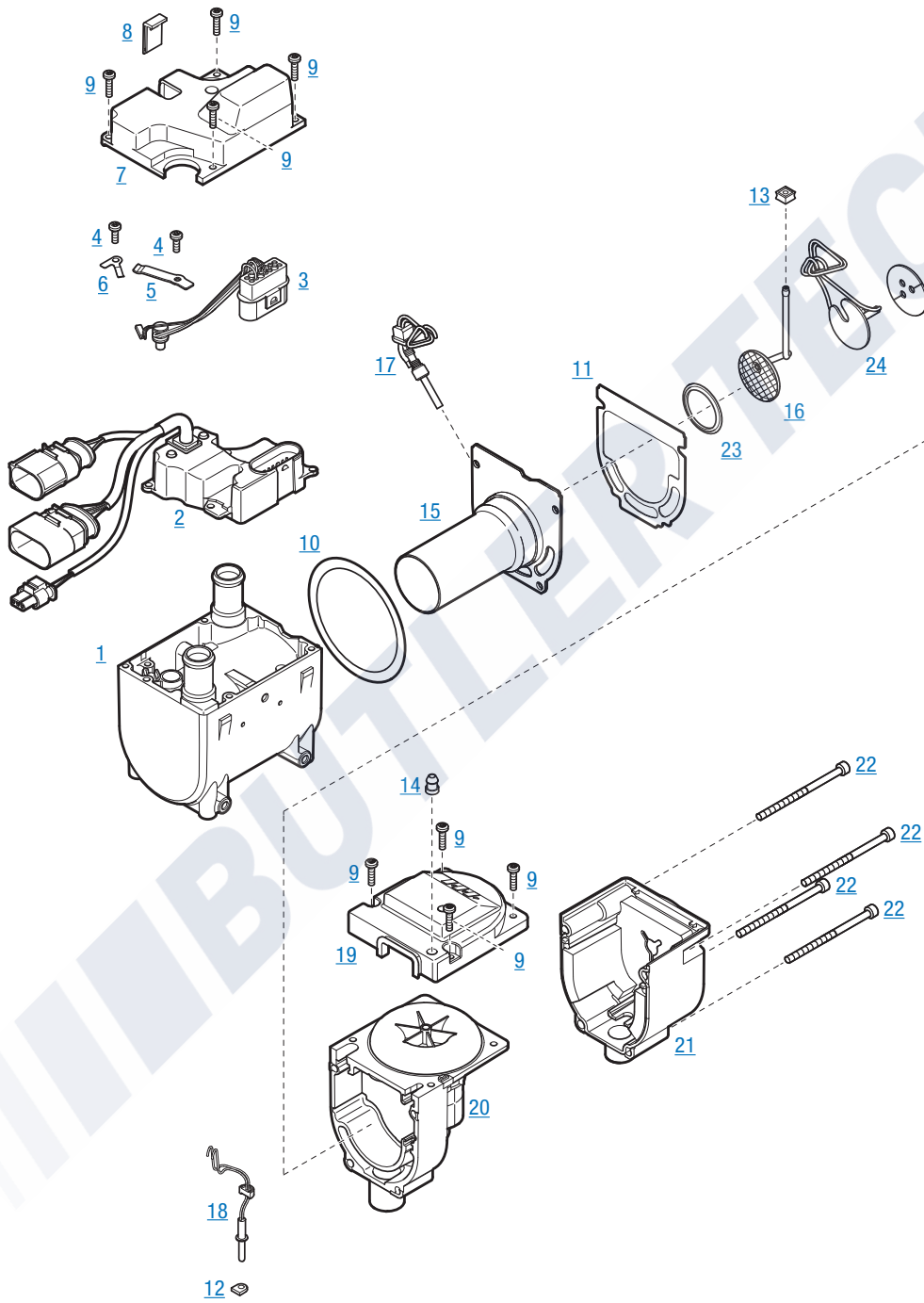
IBUTTLER TECHNIK

## CONTENTS

CHAPTER	TITLE	CONTENT	PAGE
1	Heater	Spare parts diagram	4
		Spare parts list	5
2	Installation, water and combustion air system	Spare parts diagram	9
		Spare parts list	10
3	Electrics and fuel system	Spare parts diagram	11
		Spare parts list	12

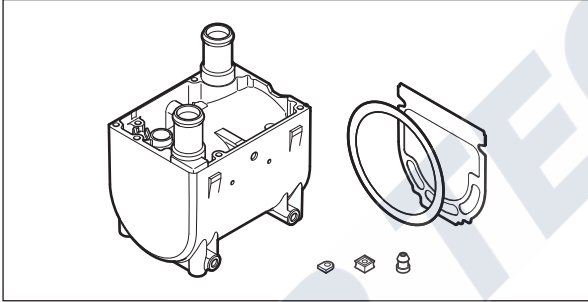
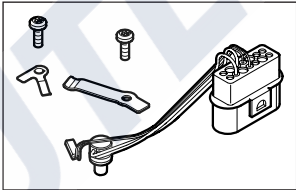

# 1 HEATER

## SPARE PARTS DIAGRAM

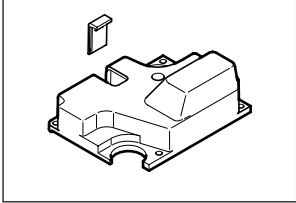

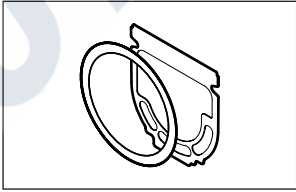
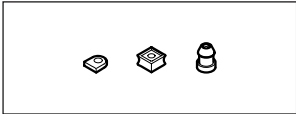


# 1 HEATER

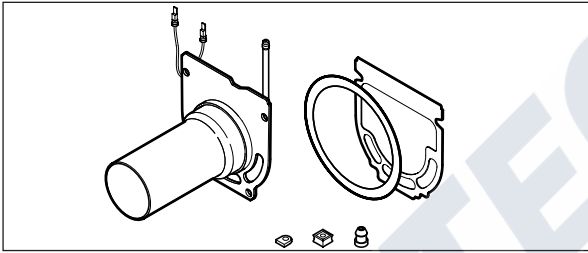
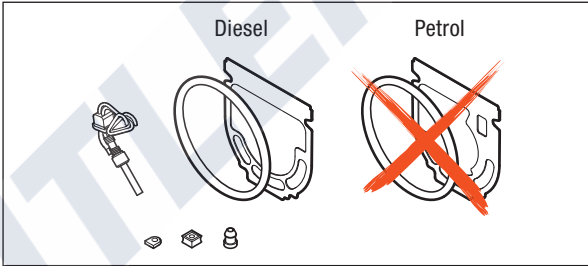
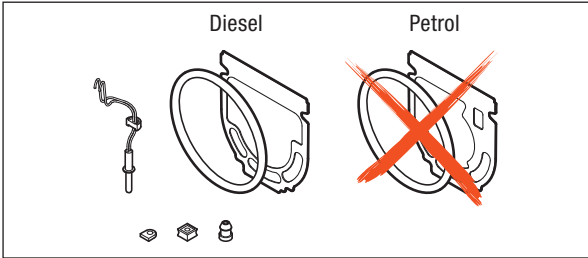
## SPARE PARTS LIST

Item No.	Number of units per device	Number of units per VE	Designation	Order No. (VE)	For device	
					25 2506 05	25 2507 05
1	1	–	Jacket and heat exchanger	<a href="#">See Item 1.1</a>		
1.1	1	1	Jacket and heat exchanger kit includes: <a href="#">Item 1, 10, 11, 12, 13, 14</a>	25 2506 99 01 01	•	•
						
2	1	1	Control box	12 V 22 5206 00 50 00 24 V 22 5207 00 10 00	•	•
3	1	–	Lead harness, heater	<a href="#">See Item 3.1</a>		
3.1	1	1	Lead harness kit, heater includes: <a href="#">Item 3, 4, 5, 6</a>	25 2506 99 01 20	•	•
						
4	2	–	Screw, M4 x 12	<a href="#">See Item 6.1</a>		
5	1	–	Compression spring, overheating sensor	<a href="#">See Item 6.1</a>		
6	1	–	Compression spring, surface sensor	<a href="#">See Item 6.1</a>		
6.1	1	1	Compression spring kit includes: <a href="#">Item 4, 5, 6</a>	25 2526 99 01 08	•	•
						

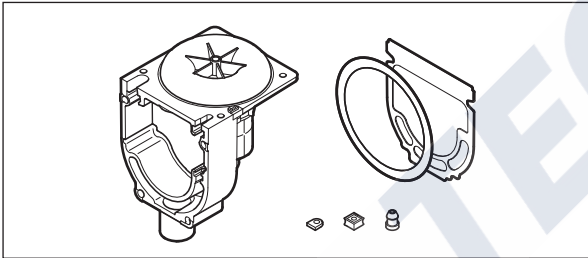
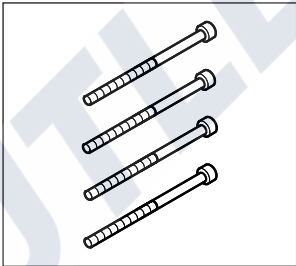
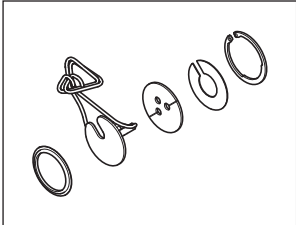
# 1 HEATER

Item No.	Number of units per device	Number of units per VE	Designation	Order No. (VE)	For device	
					25 2506 05	25 2507 05
7	1	–	Cover, control box	<a href="#">See Item 7.1</a>		
7.1	1	1	Cover kit, control box includes: <a href="#">Item 7, 8</a>	25 2506 99 01 02	•	•
						
8	1	1	Cover, cable, control box	25 2281 01 00 06	•	•
9	8	–	Screw, M4 x 16	<a href="#">See Item 9.1</a>		
9.1	2	1	Screw kit, M4 x 16 (4 screws) includes: <a href="#">Item 9</a>	25 2526 99 00 31	•	•
						
10	1	–	Seal, combustion chamber flange / heat exchanger	<a href="#">See Item 11.1</a>		
11	1	–	Seal, combustion chamber housing / fan	<a href="#">See Item 11.1</a>		
11.1	1	1	Seal kit includes: <a href="#">Item 10, 11</a>	25 2526 99 01 10	•	•
						
12	1	–	Grommet, flame sensor	<a href="#">See Item 14.1</a>		
13	1	–	Grommet, fuel pipe	<a href="#">See Item 14.1</a>		
14	1	–	Grommet, fuel pipe	<a href="#">See Item 14.1</a>		
14.1	1	1	Grommets kit includes: <a href="#">Item 12, 13, 14</a>	25 2526 99 01 04	•	•
						

# 1 HEATER

Item No.	Number of units per device	Number of units per VE	Designation	Order No. (VE)	For device	
					25 2506 05	25 2507 05
15	1	–	Combustion chamber		<a href="#">See Item 15.1</a>	
15.1	1	1	Combustion chamber kit includes: <a href="#">Item 10</a> , <a href="#">11</a> , <a href="#">12</a> , <a href="#">13</a> , <a href="#">14</a> , <a href="#">15</a> , <a href="#">16</a> , <a href="#">24.1</a>	12 V 25 2506 99 10 00 24 V 25 2507 99 10 00		• •
						
16	1	–	Fuel pipe with evaporator		<a href="#">See Item 15.1</a>	
17	1	–	Glow plug		<a href="#">See Item 17.1</a>	
17.1	1	1	Glow plug kit includes: <a href="#">Item 10</a> , <a href="#">11</a> , <a href="#">12</a> , <a href="#">13</a> , <a href="#">14</a> , <a href="#">17</a>	12 V 25 2526 99 01 11 24 V 25 2507 99 01 11		• •
						
18	1	–	Sensor, flame monitoring		<a href="#">See Item 18.1</a>	
18.1	1	1	Sensor kit, flame monitoring includes: <a href="#">Item 10</a> , <a href="#">11</a> , <a href="#">12</a> , <a href="#">13</a> , <a href="#">14</a> , <a href="#">18</a>	25 2526 99 36 00		• •
						

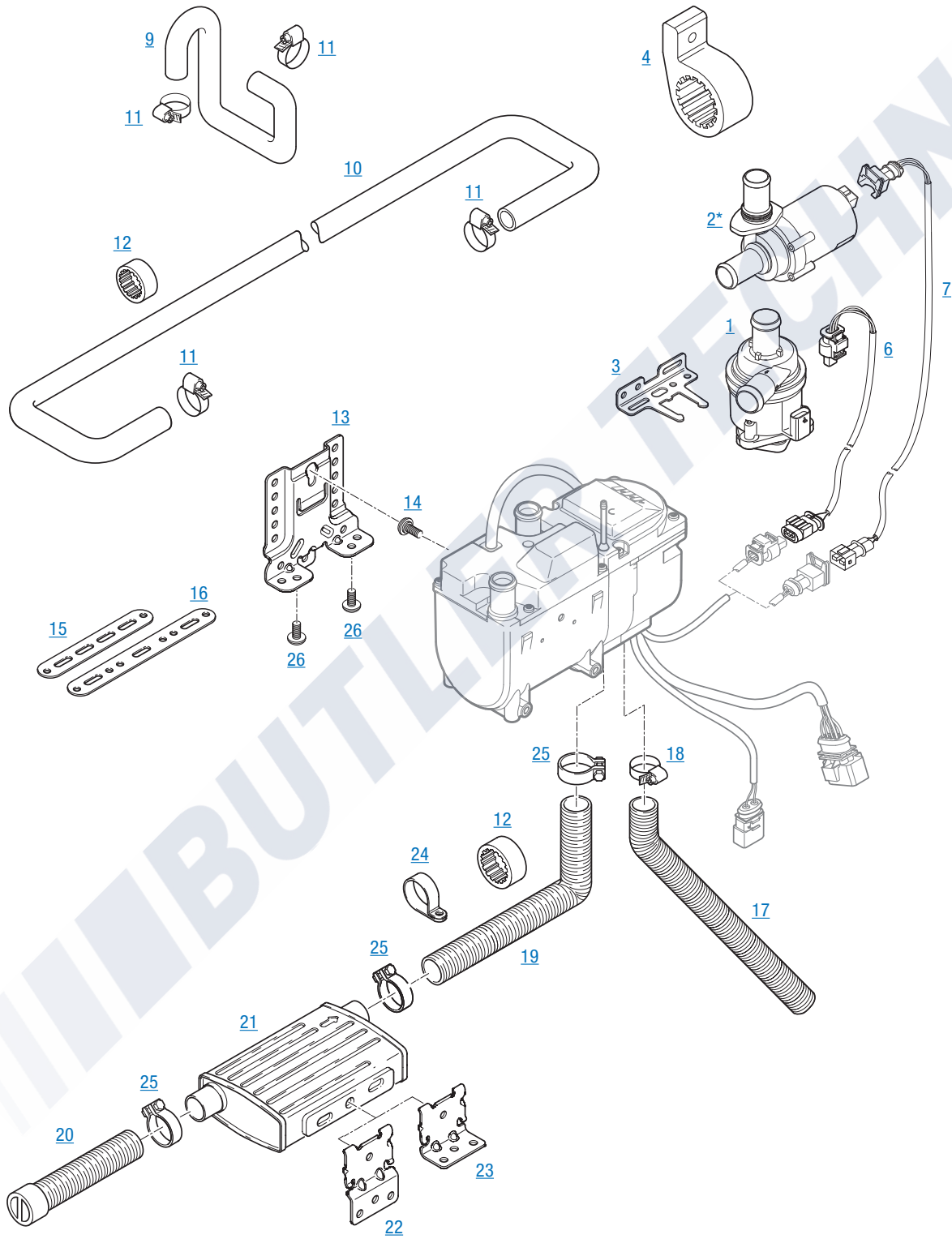
# 1 HEATER

Item No.	Number of units per device	Number of units per VE	Designation	Order No. (VE)	For device	
					25 2506 05	25 2507 05
19	1	1	Cover, fan, with seal	25 2424 01 03 00	•	•
20	1	–	Fan	<a href="#">See Item 20.1</a>		
20.1	1	1	Fan kit	12 V 25 2506 99 15 00	•	
			includes: <a href="#">Item 10, 11, 12, 13, 14, 20</a>	24 V 25 2507 99 15 00		•
						
21	1	1	Cover, electric motor, complete	25 2424 01 04 00	•	•
22	4	–	Screw, M5 x 80	<a href="#">See Item 22.1</a>		
22.1	1	1	Screw kit, M5 x 80 (4 screws)	25 2278 01 00 30	•	•
			includes: <a href="#">Item 22</a>			
						
23	1	–	Wick ring	<a href="#">See Item 24.1</a>		
24	1	–	Heating element	<a href="#">See Item 24.1</a>		
24.1	1	1	Heating element kit	12 V 25 2506 99 01 14	•	
			includes: <a href="#">Item 23, 24, 25, 26, 27,</a>	24 V 25 2507 99 01 14		•
						
25	1	–	Insulation	<a href="#">See Item 24.1</a>		
26	1	–	Slotted disc	<a href="#">See Item 24.1</a>		
27	1	–	Circlip	<a href="#">See Item 24.1</a>		



## 2 INSTALLATION, WATER AND COMBUSTION AIR SYSTEM

### SPARE PARTS DIAGRAM



## 2 INSTALLATION, WATER AND COMBUSTION AIR SYSTEM

### SPARE PARTS LIST

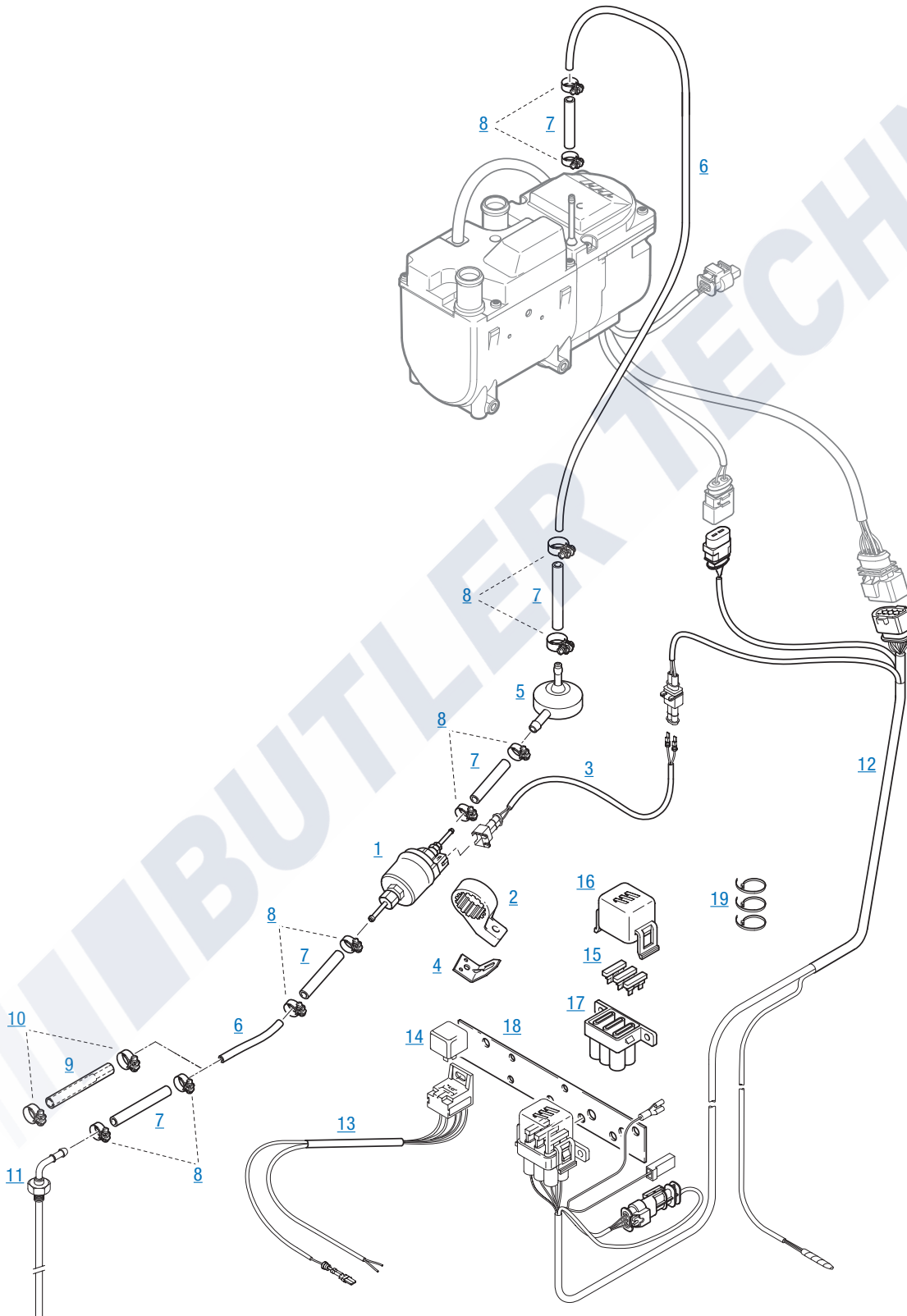
Item No.	Number of units per device	Number of units per VE	Designation	Order No. (VE)	For device	
					25 2506 05	25 2507 05
1	1	1	Water pump, 12 V	25 2526 25 00 00	•	
2*	1	1	Water pump, 24 V	25 2435 99 25 01		•
3	1	1	Bracket, water pump, 12 V	22 1000 51 39 00	•	
4	1	1	Bracket, water pump, 24 V	22 1000 50 06 00		•
6	1	1	Lead harness, 12 V, L = 2 m	25 2526 80 12 00	•	
7	1	1	Lead harness, 24 V, L = 2 m	25 2507 80 10 00		•
9	1	1	Hose, water, di = ø 20 mm	25 2526 80 01 02	•	•
10	1	1	Hose, water, di = ø 20 mm	25 1917 80 00 01	•	•
11	–	1	Hose clip, 20 – 32 mm	10 2067 02 00 32	•	•
12	2	1	Ring, 21 / 40	22 1000 50 10 02	•	•
13	1	1	Bracket, heater	22 1000 51 37 00	•	•
14	1	1	Special screw, thread-forming M6 × 17	25 2506 80 01 01	•	•
15	1	1	Bracket, straight, L = 135 mm	22 9000 50 93 05	•	•
16	2	1	Bracket, straight, L = 180 mm	22 9000 50 93 06	•	•
17	1	1	Double pipe, combustion air, sound absorbing, di = ø 20 mm	360 00 179	•	•
18	1	1	Hose clip, 16 – 25 mm	10 2067 01 60 25	•	•
19	1	1	Hose, exhaust, di = ø 24 mm, L = 900 mm	360 61 274	•	•
20	1	1	Hose, exhaust, di = ø 24 mm, L = 300 mm with end sleeve	20 1731 80 04 00	•	•
21	1	1	Exhaust silencer	22 1000 40 19 00	•	•
22	1	1	Bracket, exhaust silencer, Z-shape	22 1000 51 35 00	•	•
23	1	1	Bracket, exhaust silencer, L-shape	22 1000 51 34 00	•	•
24	2	1	Clip, ø 28 mm	152 09 010	•	•
25	3	1	Clip	22 1000 50 05 00	•	•
26	2	5	Screw, M6 x 16	25 2517 05 00 06	•	•

\* The scope of supply for the water pump includes a metal clip; this is not required.

The water pump is fixed in position using the holder, Item 4.

### 3 ELECTRICS AND FUEL SYSTEM

#### SPARE PARTS DIAGRAM



### 3 ELECTRICS AND FUEL SYSTEM

#### SPARE PARTS LIST

Item No.	Number of units per device	Number of units per VE	Designation	Order No. (VE)	For device	
					25 2506 05	25 2507 05
1	1	1	Fuel metering pump	12 V 22 4517 08 00 00	•	
				24 V 22 4522 04 00 00		•
2	1	1	Bracket, fuel metering pump	22 1000 50 04 00	•	•
3	1	1	Lead harness, fuel metering pump	22 1000 33 08 00	•	•
4	1	1	Bracket	20 1348 03 00 02	•	•
5	1	1	Pulse damper	22 1000 20 29 00	•	•
6	1	m	Pipe, 4 × 1, DIN 73378	890 31 055	•	•
7	5	m	Hose, 3.5 × 3, L = 50 mm	360 75 400	•	•
8	10	1	Hose clip, ø 9 mm	10 2068 00 90 98	•	•
9	1	1	Adapter, ø 7.5 / 3.5 mm	22 1000 20 30 00	•	•
10	2	1	Hose clip, ø 11 mm	10 2068 01 10 98	•	•
11	1	1	Tank connection, di = ø 4 mm	22 1000 20 16 00	•	•
12	1	1	Cable harness, heater	25 2506 80 10 00	•	•
13	1	1	Cable harness, fan	22 1000 33 04 00	•	•
14	1	1	Relay	12 V 203 00 095	•	
				24 V 25 2507 01 00 06		•
15	1	1	Fuse insert, 5 A	204 00 001	•	•
			Fuse insert, 20 A	24 V 204 00 004		•
			Fuse insert, 25 A	204 00 005	•	•
			Fuse insert, 30 A	12 V 25 2506 01 00 06	•	
16	1	1	Fuse holder, cover	22 1000 31 06 02	•	•
17	1	1	Fuse holder, housing, receptacle	22 1000 31 06 01	•	•
18	1	1	Combined bracket	22 1000 51 21 00	•	•
19	–	1	Set of cable ties	25 2526 99 80 07	•	•

BUTTLER TECHNIK

**Headquarters:**

J. Eberspächer GmbH & Co. KG  
Eberspächerstraße 24  
D - 73730 Esslingen  
Hotline: 0800 1234300  
Fax hotline: 01805 262624  
info@eberspaecher.com  
www.eberspaecher.com



Eberspächer