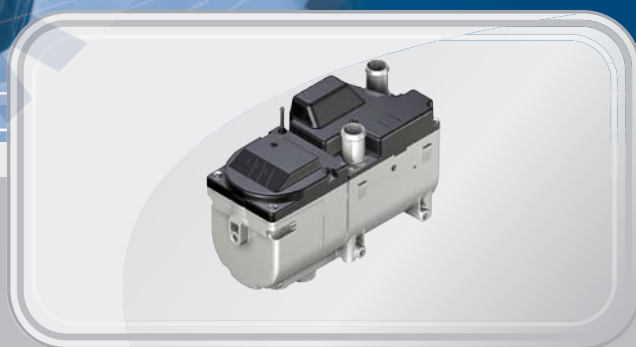


SPARE PARTS LIST

HYDRONIC II C



THE SPARE PARTS LIST IS ONLY VALID FOR THE FOLLOWING ENGINE-INDEPENDENT WATER HEATERS

Heaters for diesel

D 5 S – 12 V 25 2506 05 00 00

D 5 S – 24 V 25 2507 05 00 00

INFORMATION

DETERMINATION OF THE QUANTITY REQUIRED FOR THE ORDER

To determine the quantity of a spare part required and the "VE" (sales units) to order, use the information in the "Number of units per device" and "Number of units per VE" (sales unit or stock-keeping unit)".

NUMBER OF UNITS PER DEVICE

The number in this column indicates how many units of the spare part concerned are installed in the whole device.

NUMBER OF UNITS PER VE

The number in this column indicates how many units of the spare part concerned are included in one sales unit (VE).

ORDER NO.

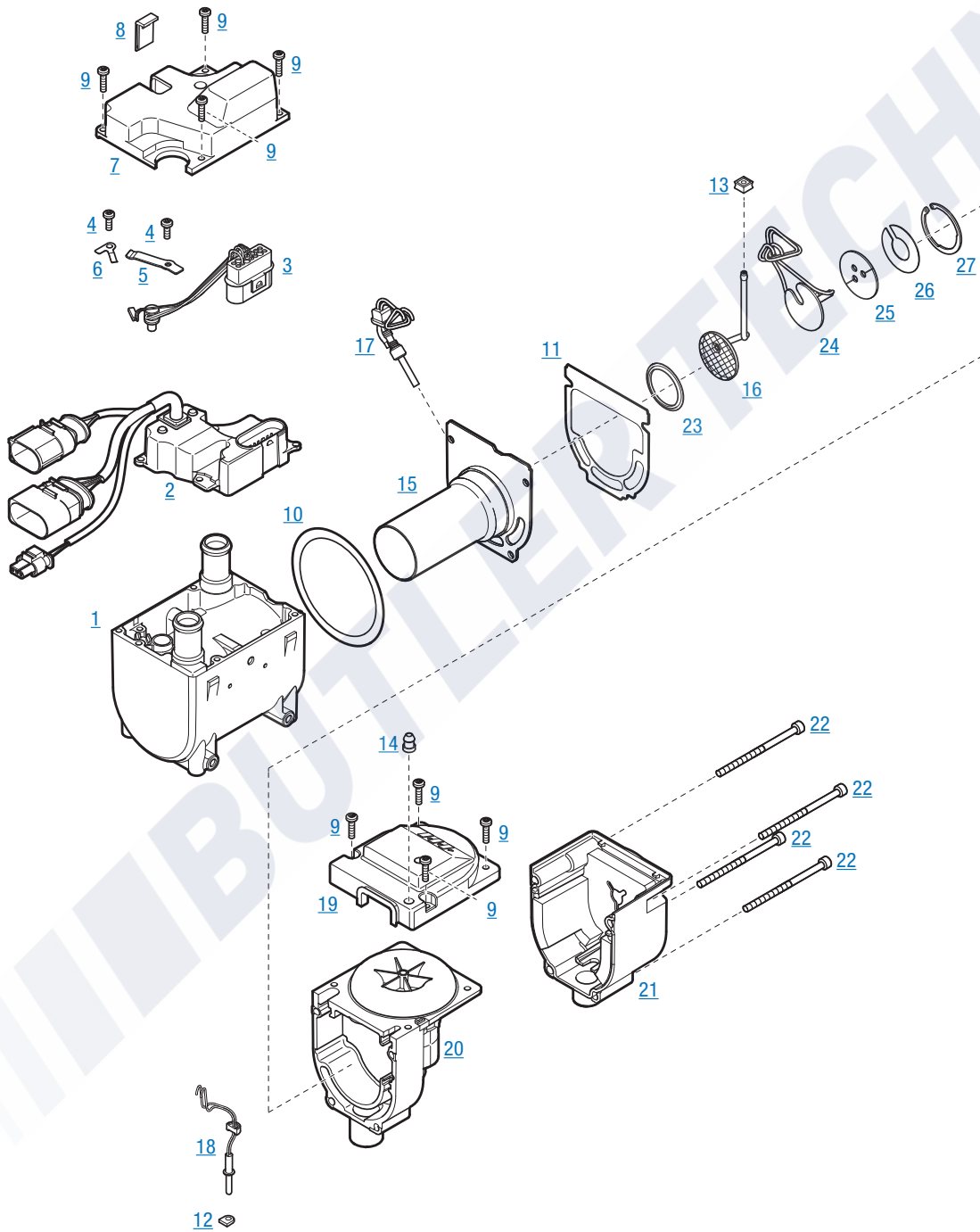
The order number relates to one sales unit.

CONTENTS

CHAPTER	TITLE	CONTENT	PAGE
1	Heater	Spare parts diagram	4
		Spare parts list	5
2	Installation, water and combustion air system	Spare parts diagram	9
		Spare parts list	10
3	Electrics and fuel system	Spare parts diagram	11
		Spare parts list	12

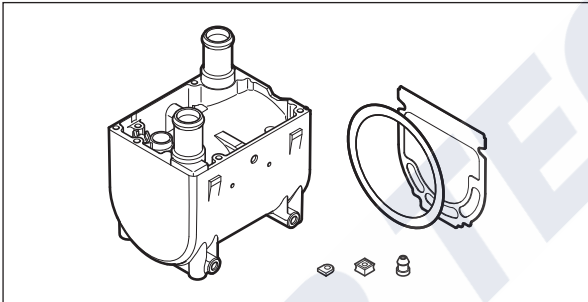
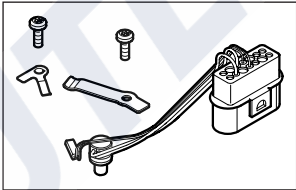

1 HEATER

SPARE PARTS DIAGRAM

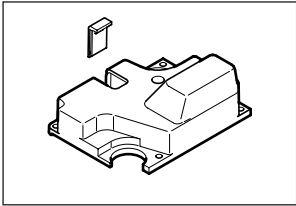

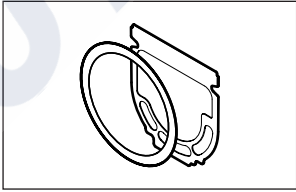
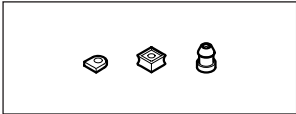


1 HEATER

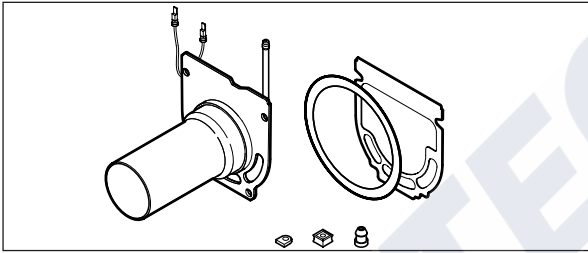
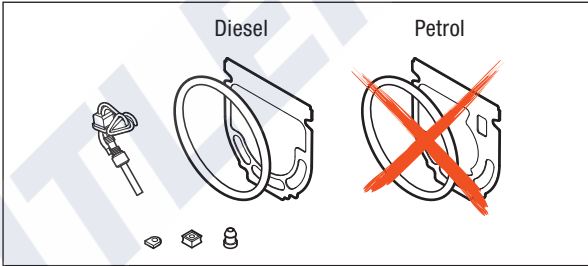
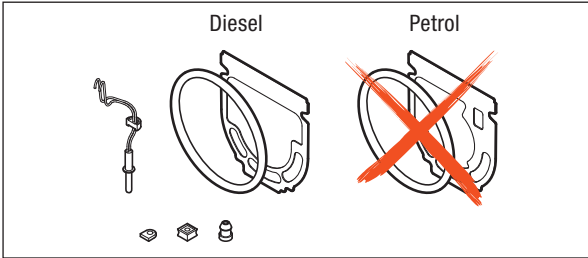
SPARE PARTS LIST

Item No.	Number of units per device	Number of units per VE	Designation	Order No. (VE)	For device	
					25 2506 05	25 2507 05
1	1	–	Jacket and heat exchanger	See Item 1.1		
1.1	1	1	Jacket and heat exchanger kit includes: Item 1, 10, 11, 12, 13, 14	25 2506 99 01 01	•	•
						
2	1	1	Control box	12 V 22 5206 00 50 00 24 V 22 5207 00 10 00	•	•
3	1	–	Lead harness, heater	See Item 3.1		
3.1	1	1	Lead harness kit, heater includes: Item 3, 4, 5, 6	25 2506 99 01 20	•	•
						
4	2	–	Screw, M4 x 12	See Item 6.1		
5	1	–	Compression spring, overheating sensor	See Item 6.1		
6	1	–	Compression spring, surface sensor	See Item 6.1		
6.1	1	1	Compression spring kit includes: Item 4, 5, 6	25 2526 99 01 08	•	•
						

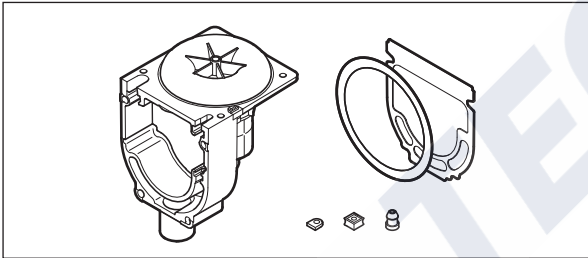
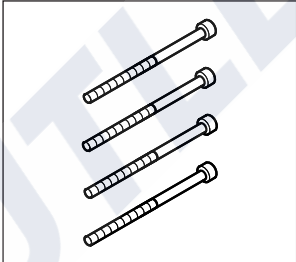
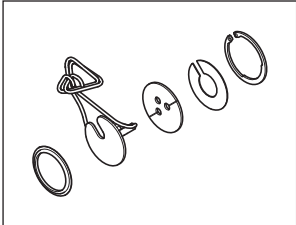
1 HEATER

Item No.	Number of units per device	Number of units per VE	Designation	Order No. (VE)	For device	
					25 2506 05	25 2507 05
7	1	–	Cover, control box	See Item 7.1		
7.1	1	1	Cover kit, control box includes: Item 7, 8	25 2506 99 01 02	•	•
						
8	1	1	Cover, cable, control box	25 2281 01 00 06	•	•
9	8	–	Screw, M4 x 16	See Item 9.1		
9.1	2	1	Screw kit, M4 x 16 (4 screws) includes: Item 9	25 2526 99 00 31	•	•
						
10	1	–	Seal, combustion chamber flange / heat exchanger	See Item 11.1		
11	1	–	Seal, combustion chamber housing / fan	See Item 11.1		
11.1	1	1	Seal kit includes: Item 10, 11	25 2526 99 01 10	•	•
						
12	1	–	Grommet, flame sensor	See Item 14.1		
13	1	–	Grommet, fuel pipe	See Item 14.1		
14	1	–	Grommet, fuel pipe	See Item 14.1		
14.1	1	1	Grommets kit includes: Item 12, 13, 14	25 2526 99 01 04	•	•
						

1 HEATER

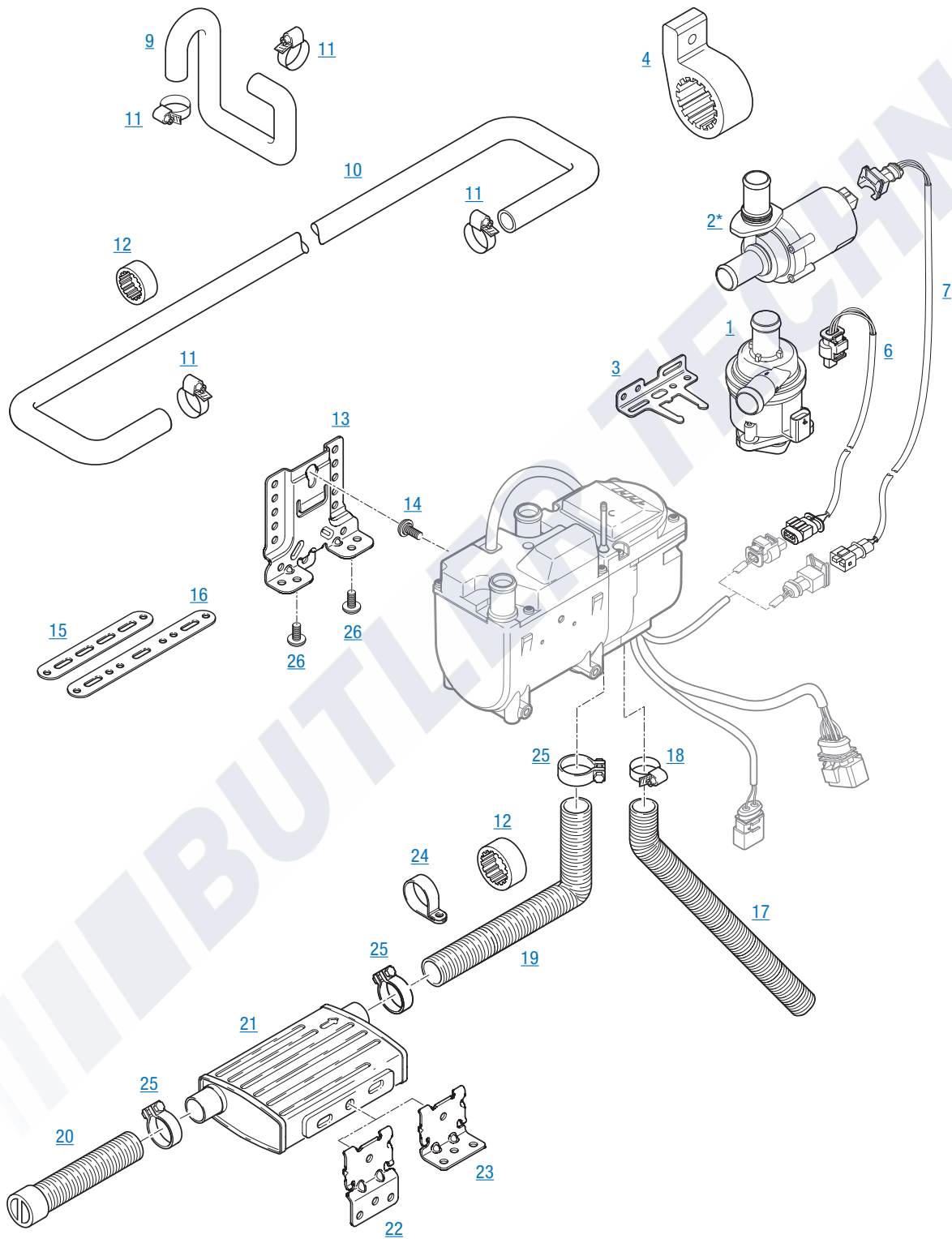
Item No.	Number of units per device	Number of units per VE	Designation	Order No. (VE)	For device	
					25 2506 05	25 2507 05
15	1	–	Combustion chamber	See Item 15.1		
15.1	1	1	Combustion chamber kit includes: Item 10, 11, 12, 13, 14, 15, 16, 24.1	12 V 25 2506 99 10 00 24 V 25 2507 99 10 00		• •
						
16	1	–	Fuel pipe with evaporator	See Item 15.1		
17	1	–	Glow plug	See Item 17.1		
17.1	1	1	Glow plug kit includes: Item 10, 11, 12, 13, 14, 17	12 V 25 2526 99 01 11 24 V 25 2507 99 01 11		• •
						
18	1	–	Sensor, flame monitoring	See Item 18.1		
18.1	1	1	Sensor kit, flame monitoring includes: Item 10, 11, 12, 13, 14, 18	25 2526 99 36 00		• •
						

1 HEATER

Item No.	Number of units per device	Number of units per VE	Designation	Order No. (VE)	For device	
					25 2506 05	25 2507 05
19	1	1	Cover, fan, with seal	25 2424 01 03 00	•	•
20	1	–	Fan	See Item 20.1		
20.1	1	1	Fan kit	12 V 25 2506 99 15 00	•	
			includes: Item 10, 11, 12, 13, 14, 20	24 V 25 2507 99 15 00		•
						
21	1	1	Cover, electric motor, complete	25 2424 01 04 00	•	•
22	4	–	Screw, M5 x 80	See Item 22.1		
22.1	1	1	Screw kit, M5 x 80 (4 screws)	25 2278 01 00 30	•	•
			includes: Item 22			
						
23	1	–	Wick ring	See Item 24.1		
24	1	–	Heating element	See Item 24.1		
24.1	1	1	Heating element kit	12 V 25 2506 99 01 14	•	
			includes: Item 23, 24, 25, 26, 27,	24 V 25 2507 99 01 14		•
						
25	1	–	Insulation	See Item 24.1		
26	1	–	Slotted disc	See Item 24.1		
27	1	–	Circlip	See Item 24.1		

2 INSTALLATION, WATER AND COMBUSTION AIR SYSTEM

SPARE PARTS DIAGRAM



2 INSTALLATION, WATER AND COMBUSTION AIR SYSTEM

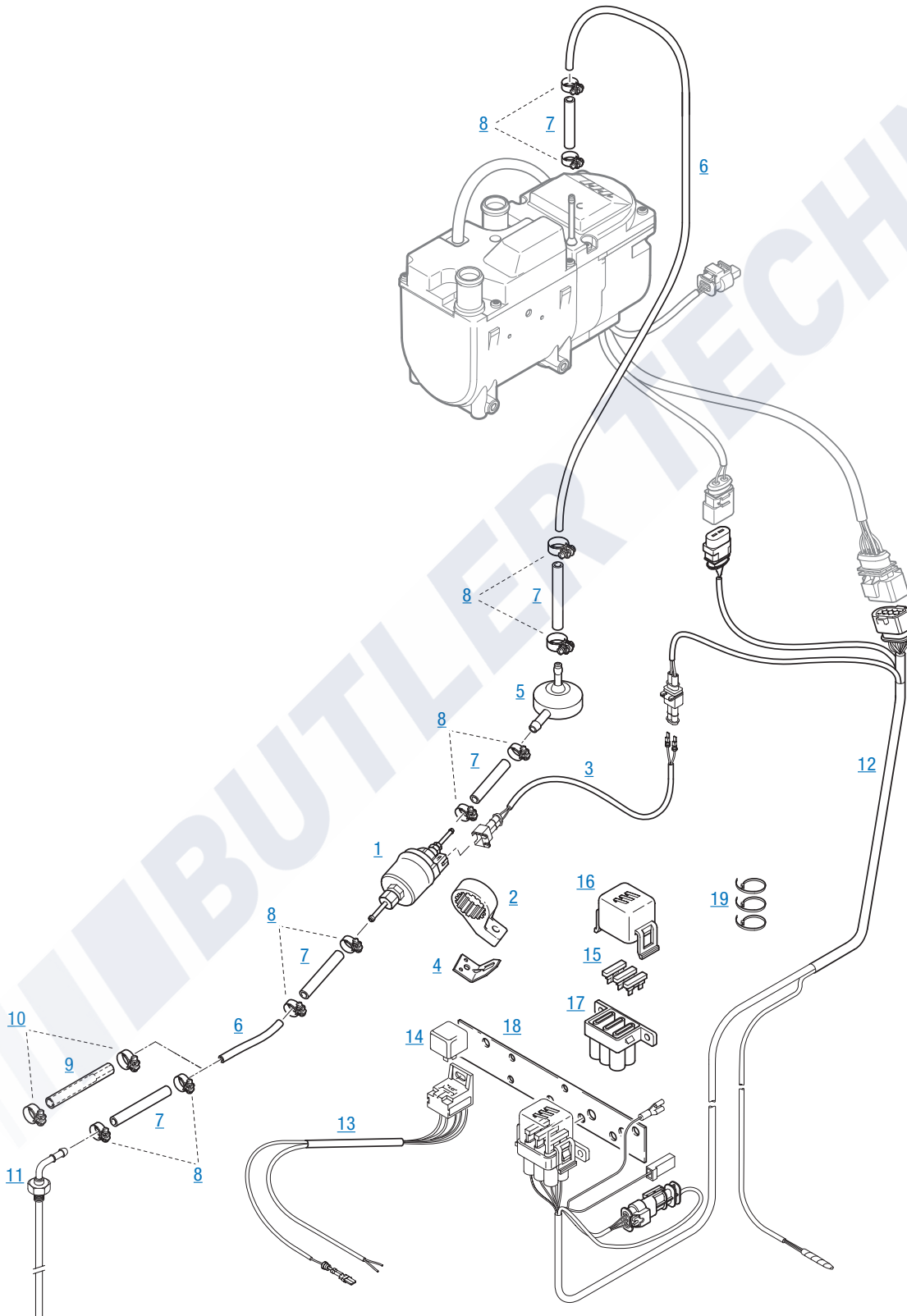
SPARE PARTS LIST

Item No.	Number of units per device	Number of units per VE	Designation	Order No. (VE)	For device	
					25 2506 05	25 2507 05
1	1	1	Water pump, 12 V	25 2526 25 00 00	•	
2*	1	1	Water pump, 24 V	25 2435 99 25 01		•
3	1	1	Bracket, water pump, 12 V	22 1000 51 39 00	•	
4	1	1	Bracket, water pump, 24 V	22 1000 50 06 00		•
6	1	1	Lead harness, 12 V, L = 2 m	25 2526 80 12 00	•	
7	1	1	Lead harness, 24 V, L = 2 m	25 2507 80 10 00		•
9	1	1	Hose, water, di = ø 20 mm	25 2526 80 01 02	•	•
10	1	1	Hose, water, di = ø 20 mm	25 1917 80 00 01	•	•
11	–	1	Hose clip, 20 – 32 mm	10 2067 02 00 32	•	•
12	2	1	Ring, 21 / 40	22 1000 50 10 02	•	•
13	1	1	Bracket, heater	22 1000 51 37 00	•	•
14	1	1	Special screw, thread-forming M6 × 17	25 2506 80 01 01	•	•
15	1	1	Bracket, straight, L = 135 mm	22 9000 50 93 05	•	•
16	2	1	Bracket, straight, L = 180 mm	22 9000 50 93 06	•	•
17	1	1	Double pipe, combustion air, sound absorbing, di = ø 20 mm	360 00 179	•	•
18	1	1	Hose clip, 16 – 25 mm	10 2067 01 60 25	•	•
19	1	1	Hose, exhaust, di = ø 24 mm, L = 900 mm	360 61 274	•	•
20	1	1	Hose, exhaust, di = ø 24 mm, L = 300 mm with end sleeve	20 1731 80 04 00	•	•
21	1	1	Exhaust silencer	22 1000 40 19 00	•	•
22	1	1	Bracket, exhaust silencer, Z-shape	22 1000 51 35 00	•	•
23	1	1	Bracket, exhaust silencer, L-shape	22 1000 51 34 00	•	•
24	2	1	Clip, ø 28 mm	152 09 010	•	•
25	3	1	Clip	22 1000 50 05 00	•	•
26	2	5	Screw, M6 x 16	25 2517 05 00 06	•	•

* The scope of supply for the water pump includes a metal clip; this is not required.
The water pump is fixed in position using the holder, Item 4.

3 ELECTRICS AND FUEL SYSTEM

SPARE PARTS DIAGRAM



3 ELECTRICS AND FUEL SYSTEM

SPARE PARTS LIST

Item No.	Number of units per device	Number of units per VE	Designation	Order No. (VE)	For device	
					25 2506 05	25 2507 05
1	1	1	Fuel metering pump	12 V 22 4517 08 00 00	•	
				24 V 22 4522 04 00 00		•
2	1	1	Bracket, fuel metering pump	22 1000 50 04 00	•	•
3	1	1	Lead harness, fuel metering pump	22 1000 33 08 00	•	•
4	1	1	Bracket	20 1348 03 00 02	•	•
5	1	1	Pulse damper	22 1000 20 29 00	•	•
6	1	m	Pipe, 4 × 1, DIN 73378	890 31 055	•	•
7	5	m	Hose, 3.5 × 3, L = 50 mm	360 75 400	•	•
8	10	1	Hose clip, ø 9 mm	10 2068 00 90 98	•	•
9	1	1	Adapter, ø 7.5 / 3.5 mm	22 1000 20 30 00	•	•
10	2	1	Hose clip, ø 11 mm	10 2068 01 10 98	•	•
11	1	1	Tank connection, di = ø 4 mm	22 1000 20 16 00	•	•
12	1	1	Cable harness, heater	25 2506 80 10 00	•	•
13	1	1	Cable harness, fan	22 1000 33 04 00	•	•
14	1	1	Relay	12 V 203 00 095	•	
				24 V 25 2507 01 00 06		•
15	1	1	Fuse insert, 5 A	204 00 001	•	•
			Fuse insert, 20 A	24 V 204 00 004		•
			Fuse insert, 25 A	204 00 005	•	•
			Fuse insert, 30 A	12 V 25 2506 01 00 06	•	
16	1	1	Fuse holder, cover	22 1000 31 06 02	•	•
17	1	1	Fuse holder, housing, receptacle	22 1000 31 06 01	•	•
18	1	1	Combined bracket	22 1000 51 21 00	•	•
19	–	1	Set of cable ties	25 2526 99 80 07	•	•

BUTLER TECHNİK

Headquarters:

J. Eberspächer GmbH & Co. KG
Eberspächerstraße 24
D - 73730 Esslingen
Hotline: 0800 1234300
Fax hotline: 01805 262624
info@eberspaecher.com
www.eberspaecher.com

